



# PARTS CATALOGUE

## YZF-R6 (5SL1) EUROPE, SOUTH AFRICA

---



1B5SL-300E3

( 2B5SL-300E3 )

YZF-R6  
PARTS CATALOGUE  
©2003 by Yamaha Motor Co., Ltd.  
1st edition, December 2003  
All rights reserved.  
Any reprinting or unauthorized use  
without the written permission of  
Yamaha Motor Co., Ltd.  
is expressly prohibited.  
Printed in Japan.

**A3**

YZF-R6



A4

# FOREWORD

This Parts Catalogue is related to the parts for the model(s) on the cover page. When you are ordering replacement parts, please refer to this Parts Catalogue and quote both part numbers and part names correctly.

1. Modifications or additions which have been made after the issue of the Parts Catalogue will be announced in the Parts News.

It is advisable that you make the necessary corrections to the Parts Catalogue according to the Parts News.

2. Abbreviations

The following abbreviations are used in this Parts Catalogue.

“UR” Use specified parts number.

“UN” Use as many as needed.

“AP” Alternate Parts

“LM” Locally Made (Parts need to be ordered locally)

“F#” Frame No. (Applicable machine No.)

“O/S” Over Size

3. The number of components for assembly

- Parts, which are to be supplied in an assembly, are listed with a dot (.) in front of the part name as shown below.
- The numeral appearing to the right of each component part indicates the quantity of parts for each assembly unit.

PART NO.	DESCRIPTION	Q'TY	REMARKS
2F5-83310-60	FRONT FLASHER LIGHT ASSY	2	
115-83311-60	.BULB (6V-18W)	1	

4. Applicable colours of graphics are represented in the “REMARKS” as shown below.

PART NO.	DESCRIPTION	Q'TY	REMARKS
2N4-24110-00-X5	FUEL TANK COMP.	2	MXR
3J1-24240-10	.GRAPHIC, FUEL TANK	1	FOR MXR

5. Note that the illustrations for reference in finding parts numbers are not to be used for assembling. When assembling, please use the applicable service manual.

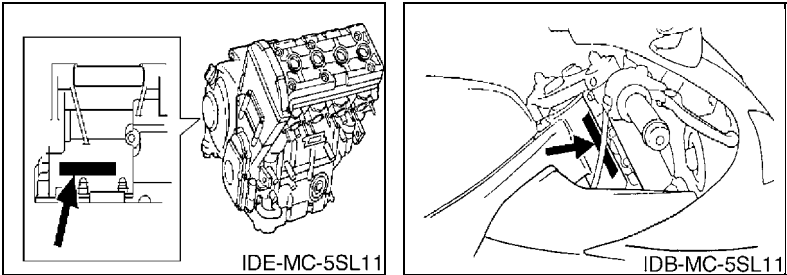
6. The asterisk (\*) before a reference number indicates modified items after the first edition.

# FOREWORD

7. Applicable Serial No.

Engine Serial No.

Frame Serial No.



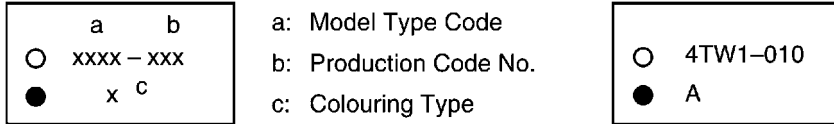
8. Applicable Colour Code (The (\*) mark shows Model colour.)

Abbreviation	Colour Name	Colour Code
BL2	BLACK 2	004B
DPBMC(*)	DEEP PURPLISH BLUE METALLIC C	0564
LGB	LOW GLOSS BLACK	0098
MBL2	MAT BLACK 2	0582
RYC1(*)	REDDISH YELLOW COCKTAIL 1	0251
S3(*)	SILVER 3	0791
VRC1(*)	VIVID RED COCKTAIL 1	0121

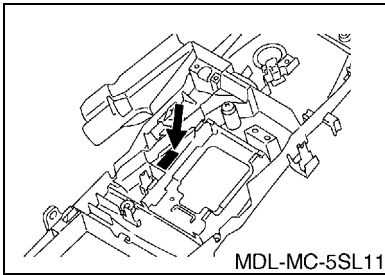
# MODEL LABEL

(1) A label called "Model Label" is affixed in the location as indicated in (3) below. When using this parts catalogue, please be sure to cross-reference the "model code – production code No." in the catalogue with the "model code – production code No." indicated on the Model Label affixed onto the product concerned.

(2) "Model Label" Indication



(3) Model Label Affixing Location



(4) Colouring Information

Model Code	Colouring Type Code	Colour Code	Colour Name	Abbreviation
5SL1	A	0121	VIVID RED COCKTAIL 1	VRC1
	B	0564	DEEP PURPLISH BLUE METALLIC C	DPBMC
	C	0791	SILVER 3	S3
	D	0251	REDDISH YELLOW COCKTAIL 1	RYC1

(5) Model Code – Production Code Number of Model Listed in This Parts Catalogue

Model Code	Production Code No.	Country (destination)	Model Code	Production Code No.	Country (destination)
5SL1	010	ITALY			
	020	BELGIUM			
	040	DENMARK			
		NORWAY			
	060	UNITED KINGDOM			
	070	GREECE			
	080	NETHERLANDS			
	090	PORTUGAL			
	100	SWEDEN			
110	SOUTH AFRICA				

# CONTENTS

## ENGINE

CYLINDER .....	B2
CRANKSHAFT & PISTON .....	B3
VALVE .....	B4
CAMSHAFT & CHAIN .....	B6
WATER PUMP .....	B7
RADIATOR & HOSE .....	B8
OIL PUMP .....	B10
OIL CLEANER .....	B11
INTAKE .....	B12
INTAKE 2 .....	B14
AIR INDUCTION SYSTEM .....	C2
EXHAUST .....	C3
CRANKCASE .....	C4
CRANKCASE COVER 1 .....	C6
STARTER .....	C8
CLUTCH .....	C9
TRANSMISSION .....	C11
SHIFT CAM & FORK .....	C13
SHIFT SHAFT .....	C14

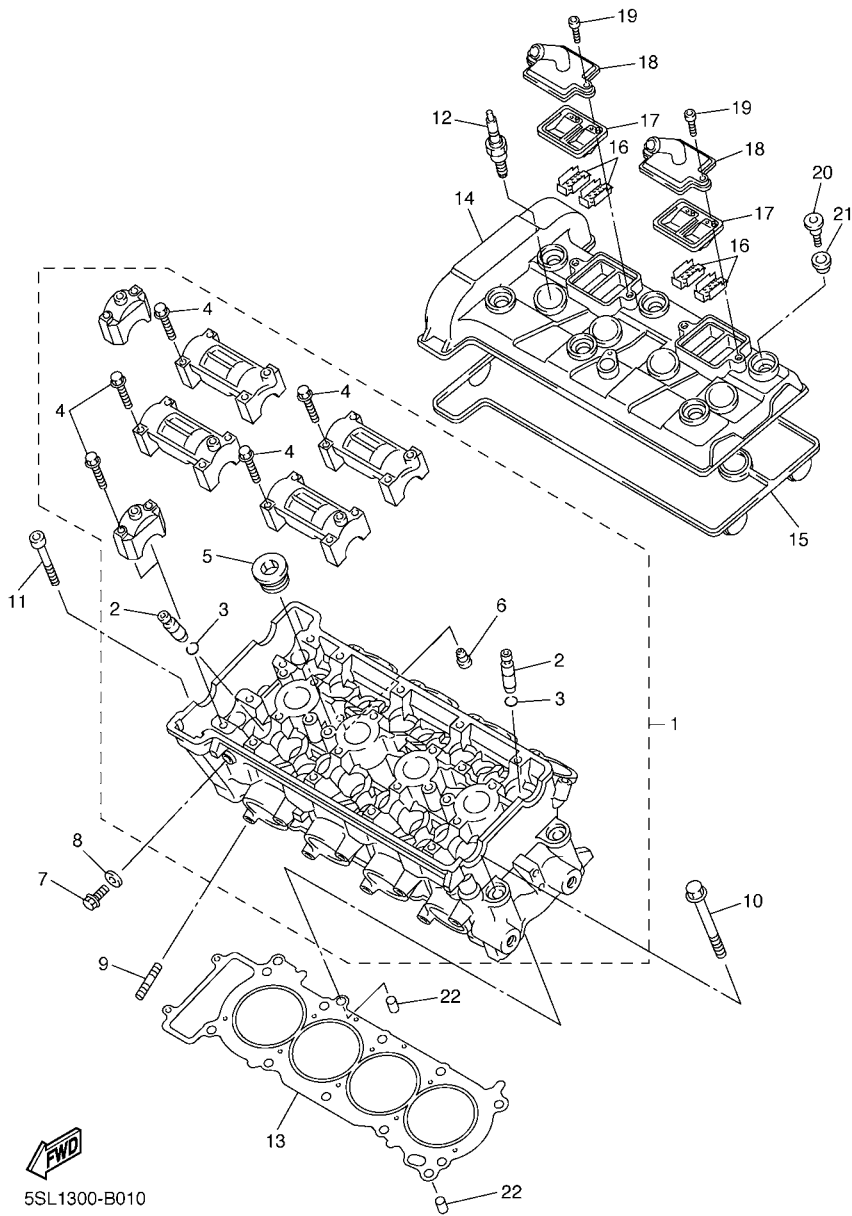
## CHASSIS

FRAME .....	C15
FENDER .....	D3
SIDE COVER .....	D5
REAR ARM .....	D7
REAR SUSPENSION .....	D9
STEERING .....	D10
FRONT FORK .....	D11
FUEL TANK .....	D13
SEAT .....	D15
FRONT WHEEL .....	E2
FRONT BRAKE CALIPER .....	E3
REAR WHEEL .....	E4
REAR BRAKE CALIPER .....	E6
STEERING HANDLE & CABLE .....	E7
FRONT MASTER CYLINDER .....	E8
STAND & FOOTREST .....	E10
REAR MASTER CYLINDER .....	E13
COWLING 1 .....	E15
COWLING 2 .....	F3
GENERATOR .....	F6

STARTING MOTOR .....	F7
FLASHER LIGHT .....	F8
METER .....	F9
HEADLIGHT .....	F10
TAILLIGHT .....	F11
HANDLE SWITCH & LEVER .....	F12
ELECTRICAL 1 .....	F13
ELECTRICAL 2 .....	F14

## INDEX

NUMERICAL INDEX .....	M1
-----------------------	----



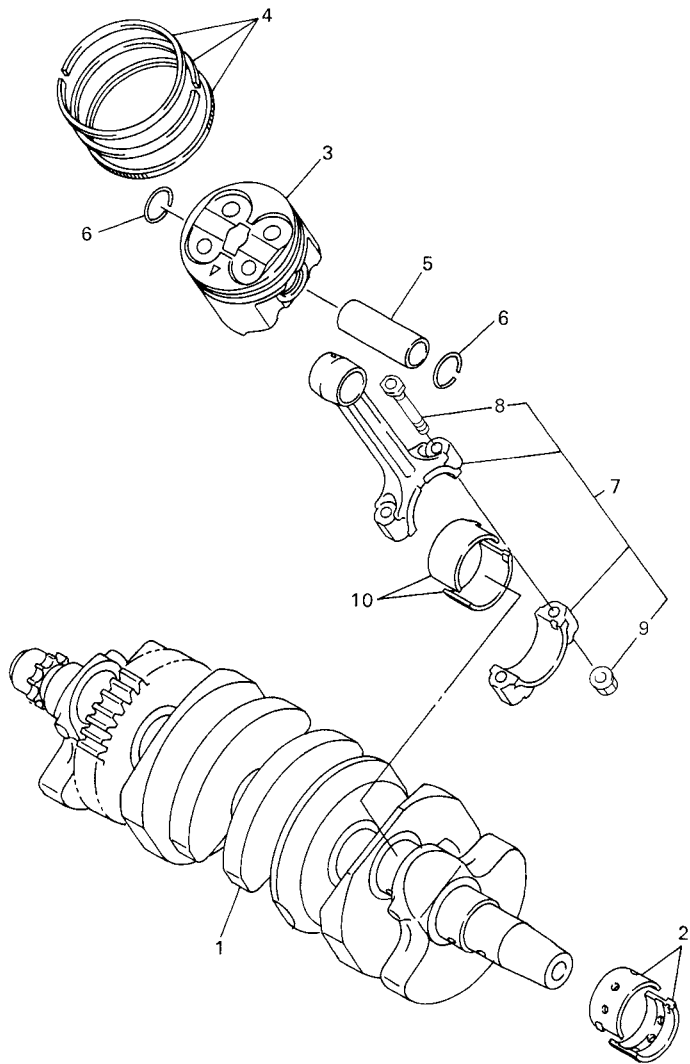
5SL1300-B010

FIG. 1 CYLINDER

REF. NO.	PART NO.	DESCRIPTION	5SL1				REMARKS
1	5SL-11101-00	CYLINDER HEAD ASSY	1				
2	5EB-11133-10	.GUIDE, VALVE 1	16				
3	93440-10153	.CIRCLIP	16				
4	90105-06027	.BOLT, FLANGE	20				
5	90340-20090	.PLUG, STRAIGHT SCREW	3				
6	11H-15138-00	.NOZZLE 1	1				
7	95027-08012	BOLT, FLANGE	1				
8	90430-08119	GASKET	1				
9	95617-08625	BOLT, STUD	8				
10	90119-10003	BOLT, WITH WASHER	10				
11	91317-06060	BOLT	2				
12	94701-00402	PLUG, SPARK (NGK CR10EK)	4				
13	5SL-11181-00	GASKET, CYLINDER HEAD 1	1				
14	5SL-11191-00	COVER, CYLINDER HEAD 1	1				
15	5SL-11193-00	GASKET, HEAD COVER 1	1				
16	5SL-1482K-00	PLATE	4				
17	5SL-14890-00	REED VALVE ASSY	2				
18	5SL-14899-00	CAP, CASE	2				
19	90110-06073	BOLT, HEXAGON SOCKET HEAD	4				
20	90109-066F0	BOLT	6				
21	4KG-1111G-00	RUBBER, MOUNT 1	6				
22	99530-10114	PIN, DOWEL	2				



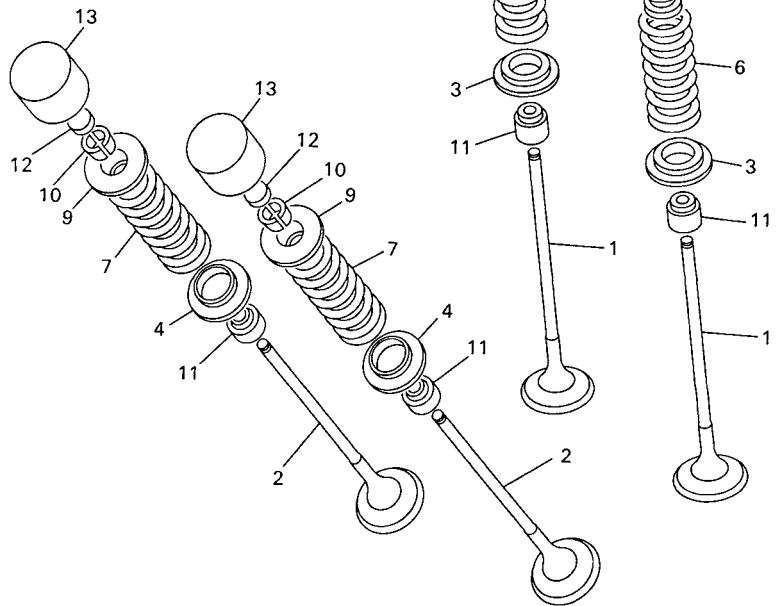
**FIG. 2 CRANKSHAFT & PISTON**



REF. NO.	PART NO.	DESCRIPTION	SSL1				REMARKS
1	5SL-11411-00	CRANKSHAFT	1				
2	5EB-11416-A0	PLANE BEARING, CRANKSHAFT 1	10				UR WHITE
	5EB-11416-00	PLANE BEARING, CRANKSHAFT 1	10				UR BLUE
	5EB-11416-10	PLANE BEARING, CRANKSHAFT 1	10				UR BLACK
	5EB-11416-20	PLANE BEARING, CRANKSHAFT 1	10				UR BROWN
	5EB-11416-30	PLANE BEARING, CRANKSHAFT 1	10				UR GREEN
3	5SL-11631-00	PISTON (STD)	4				
4	5SL-11603-00	PISTON RING SET (STD)	4				
5	5SL-11633-00	PIN, PISTON	4				
6	93450-17129	CIRCLIP	8				
7	5SL-11650-00	CONNECTING ROD ASSY	4				
8	5SL-11654-00	.BOLT, CONNECTING ROD	2				
9	90179-07652	.NUT	2				
10	5SL-11656-00	PLANE BEARING, CONNECTING ROD	8				UR BLUE
	5SL-11656-10	PLANE BEARING, CONNECTING ROD	8				UR BLACK
	5SL-11656-20	PLANE BEARING, CONNECTING ROD	8				UR BROWN
	5SL-11656-30	PLANE BEARING, CONNECTING ROD	8				UR GREEN



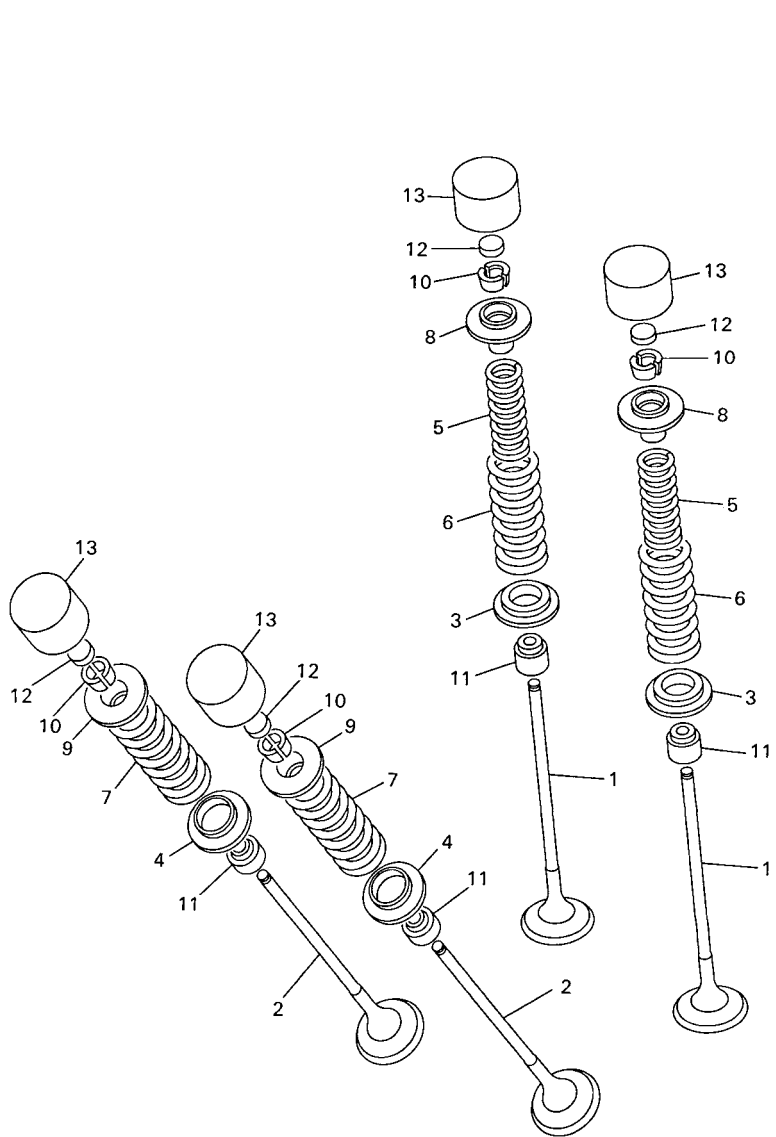
5EB3351-9020



5EB3351-9030

FIG. 3 VALVE

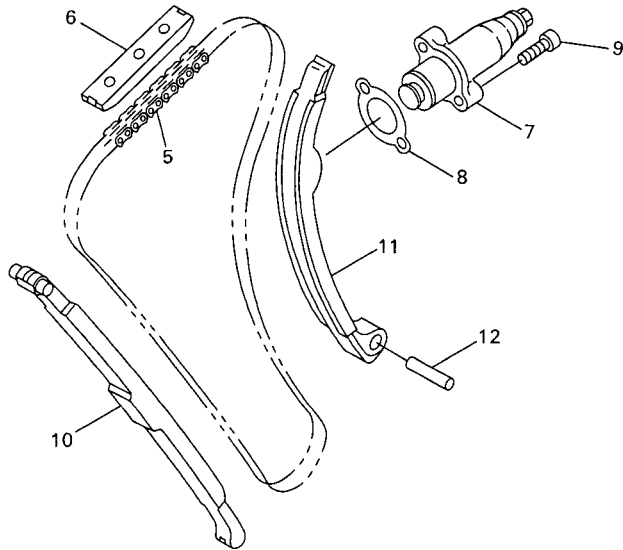
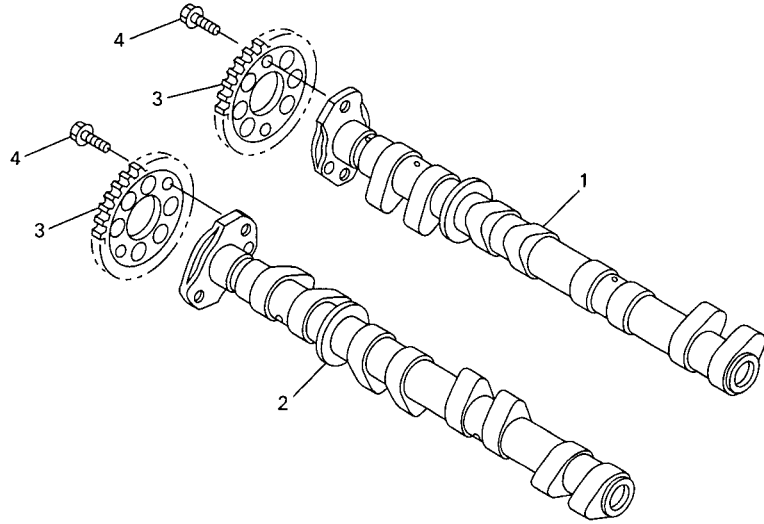
REF. NO.	PART NO.	DESCRIPTION	SSL1				REMARKS
1	5EB-12111-00	VALVE, INTAKE	8				
2	5SL-12121-00	VALVE, EXHAUST	8				
3	5SL-12116-00	SEAT, VALVE SPRING	8				
4	5EB-12126-00	SEAT, VALVE SPRING 2	8				
5	5SL-12113-00	SPRING, VALVE INNER	8				
6	5SL-12114-00	SPRING, VALVE OUTER	8				
7	5EB-12124-01	SPRING, VALVE OUTER	8				
8	5EB-12117-00	RETAINER, VALVE SPRING	8				
9	5EB-12127-00	RETAINER, VALVE SPRING	8				
10	1HX-12118-00	COTTER, VALVE	32				
11	4TV-12119-00	SEAL, VALVE STEM	16				
12	1HX-12168-00	PAD, ADJUSTING 2 (1.20)	16				UR
	1HX-12168-20	PAD, ADJUSTING 2 (1.25)	16				UR
	1HX-12168-40	PAD, ADJUSTING 2 (1.30)	16				UR
	1HX-12168-60	PAD, ADJUSTING 2 (1.35)	16				UR
	1HX-12168-80	PAD, ADJUSTING 2 (1.40)	16				UR
	1HX-12168-A0	PAD, ADJUSTING 2 (1.45)	16				UR
	1HX-12168-F0	PAD, ADJUSTING 2 (1.50)	16				UR
	1HX-12168-H1	PAD, ADJUSTING 2 (1.55)	16				UR
	1HX-12168-K1	PAD, ADJUSTING 2 (1.60)	16				UR
	1HX-12168-M1	PAD, ADJUSTING 2 (1.65)	16				UR
	1HX-12168-R1	PAD, ADJUSTING 2 (1.70)	16				UR
	1HX-12168-U1	PAD, ADJUSTING 2 (1.75)	16				UR
	1HX-12168-W1	PAD, ADJUSTING 2 (1.80)	16				UR
	1HX-12168-Y1	PAD, ADJUSTING 2 (1.85)	16				UR
	1HX-12169-11	PAD, ADJUSTING 2 (1.90)	16				UR
	1HX-12169-31	PAD, ADJUSTING 2 (1.95)	16				UR



5EB3351-9030

FIG. 3 VALVE

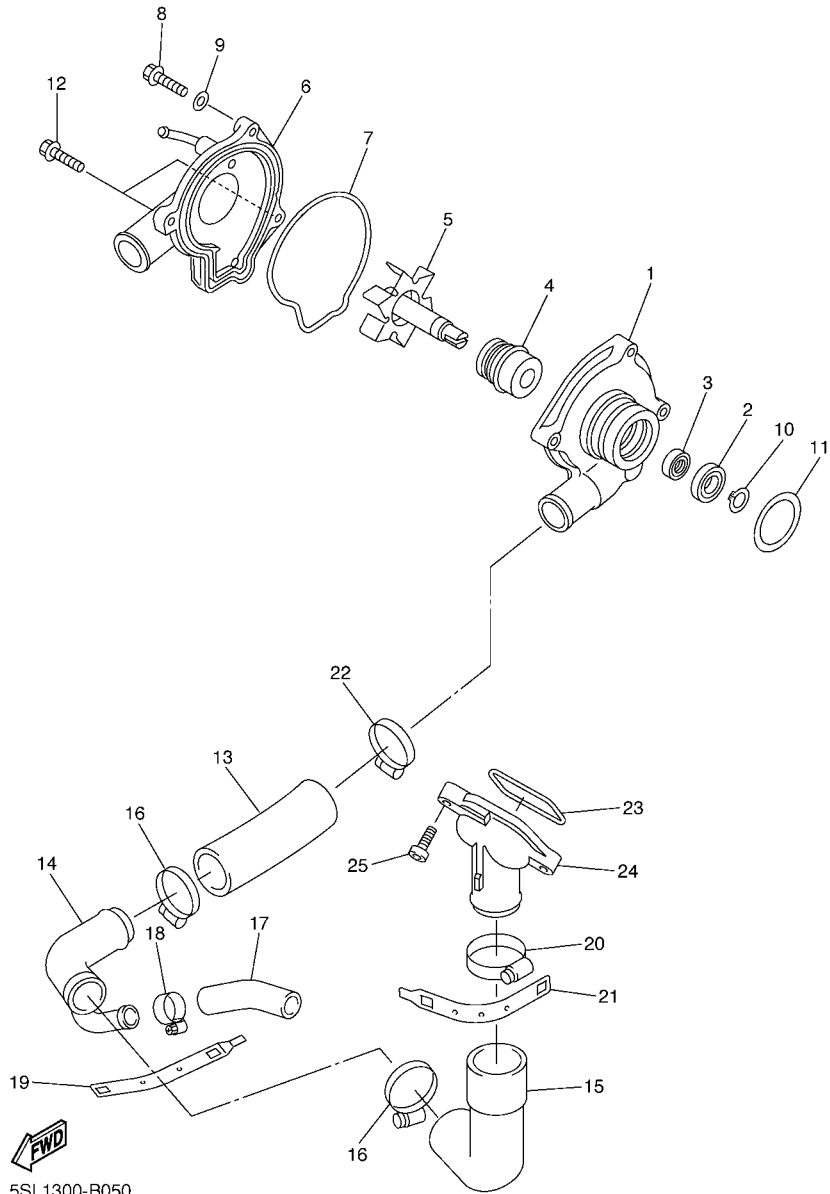
REF. NO.	PART NO.	DESCRIPTION	SSL1				REMARKS
12	1HX-12169-50	PAD, ADJUSTING 2 (2.00)	16				UR
	1HX-12169-70	PAD, ADJUSTING 2 (2.05)	16				UR
	1HX-12169-90	PAD, ADJUSTING 2 (2.10)	16				UR
	1HX-12169-E0	PAD, ADJUSTING 2 (2.15)	16				UR
	1HX-12169-G0	PAD, ADJUSTING 2 (2.20)	16				UR
	1HX-12169-J0	PAD, ADJUSTING 2 (2.25)	16				UR
	1HX-12169-L0	PAD, ADJUSTING 2 (2.30)	16				UR
	1HX-12169-N0	PAD, ADJUSTING 2 (2.35)	16				UR
	1HX-12169-T0	PAD, ADJUSTING 2 (2.40)	16				UR
13	5EB-12153-20	LIFTER, VALVE	16				UR BLUE
	5EB-12153-30	LIFTER, VALVE	16				UR RED
	5EB-12153-09	LIFTER, VALVE (O/S)	16				AP GREEN



5MT3351-1040

FIG. 4 CAMSHAFT & CHAIN

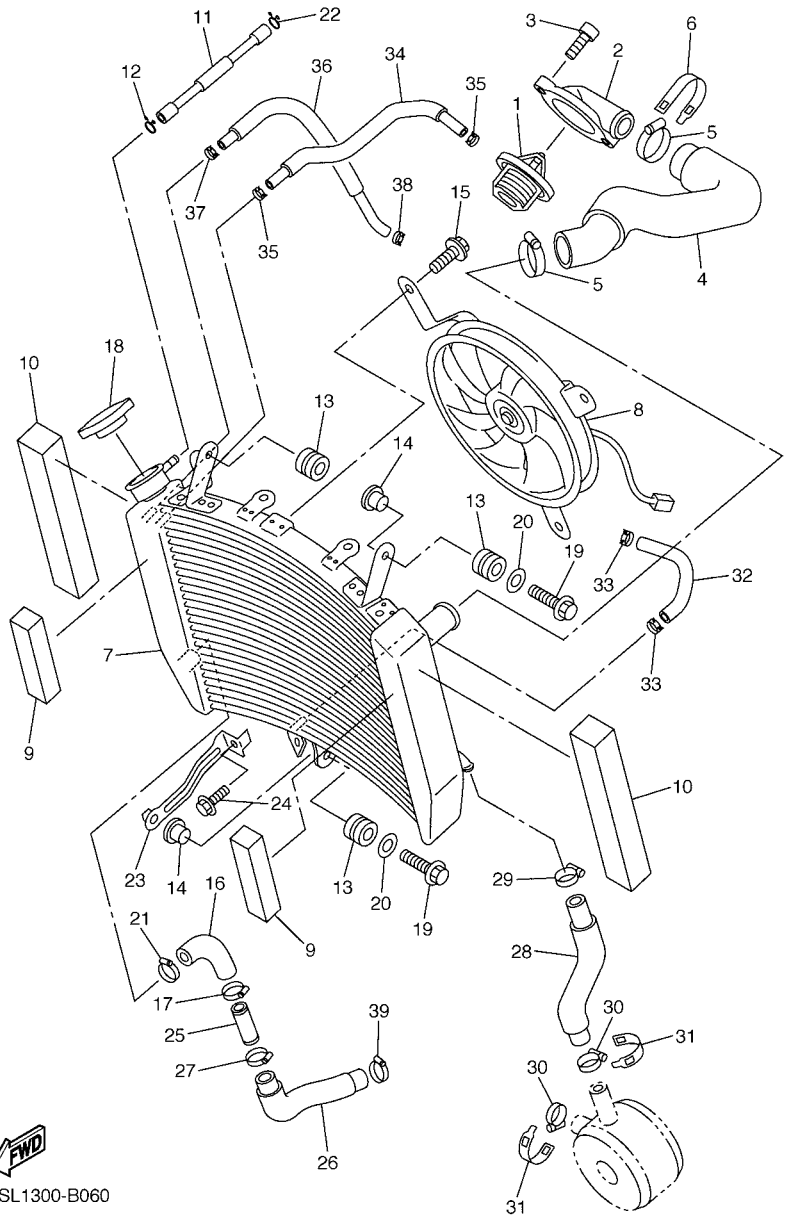
REF. NO.	PART NO.	DESCRIPTION	SSL1				REMARKS
1	5SL-12170-00	CAMSHAFT ASSY 1	1				
2	5SL-12180-00	CAMSHAFT ASSY 2	1				
3	5EB-12176-00	SPROCKET, CAM CHAIN	2				
4	90105-07342	BOLT, FLANGE	4				
5	94591-49120	CHAIN	1				
6	5BE-12241-00	GUIDE, STOPPER 2	1				
7	5SL-12210-10	TENSIONER ASSY, CAM CHAIN	1				
8	4FM-12213-00	GASKET, TENSIONER CASE	1				
9	91317-06025	BOLT	2				
10	5EB-12251-00	DAMPER, CHAIN 1	1				
11	5EB-12252-10	DAMPER, CHAIN 2	1				
12	93607-44190	PIN, DOWEL	1				



5SL1300-B050

FIG. 5 WATER PUMP

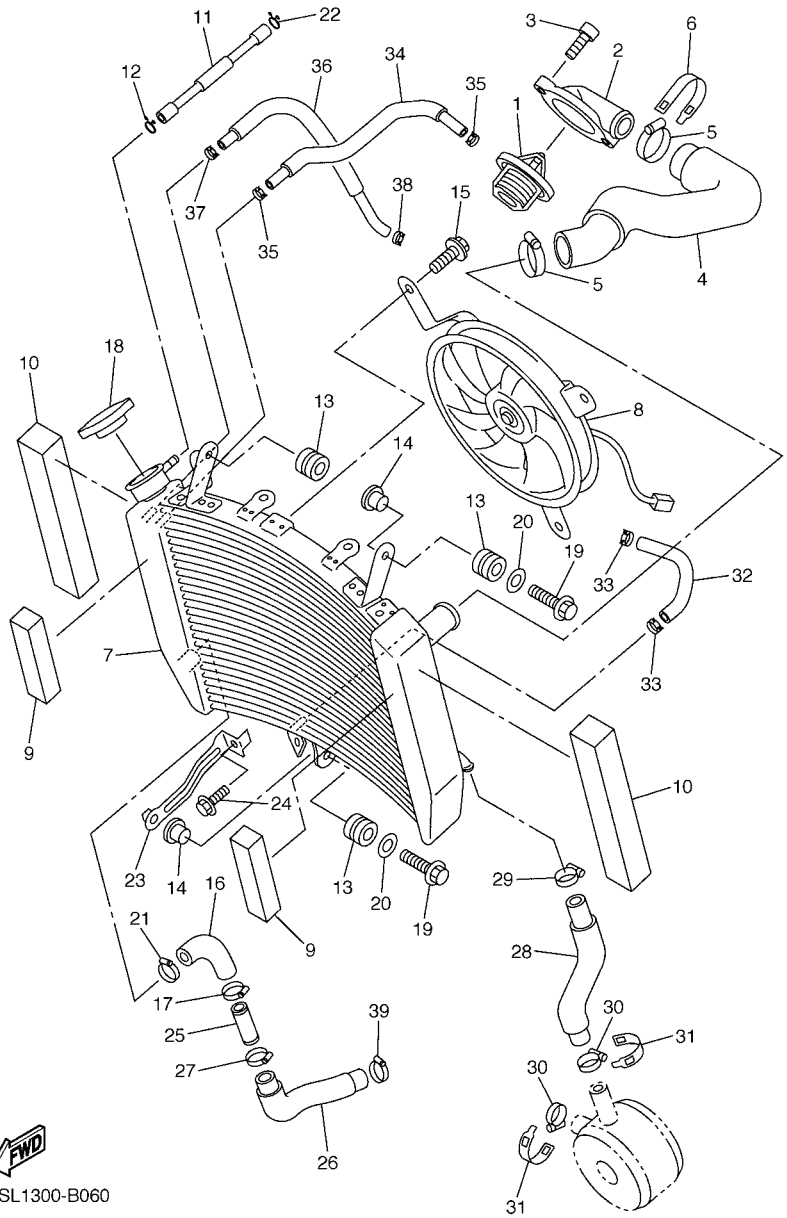
REF. NO.	PART NO.	DESCRIPTION	5SL1				REMARKS
1	5EB-12421-00	HOUSING, WATER PUMP	1				
2	93306-00106	BEARING	1				
3	93101-12173	OIL SEAL	1				
4	11H-12438-10	SEAL, MECHANICAL	1				
5	5EB-12450-00	IMPELLER SHAFT ASSY	1				
6	5SL-12422-00	COVER, HOUSING	1				
7	5EB-12439-00	O-RING	1				
8	95024-06020	BOLT, FLANGE	2				
9	90430-06014	GASKET	1				
10	99009-12400	CIRCLIP	1				
11	93210-33133	O-RING	1				
12	90110-06149	BOLT, HEXAGON SOCKET HEAD	2				
13	4NK-12579-00	HOSE 4	1				
14	5EB-12581-00	JOINT, HOSE 1	1				
15	5EB-12577-00	HOSE 2	1				
16	90450-35001	HOSE CLAMP ASSY	2				
17	5SL-12588-00	HOSE 5	1				
18	90450-22017	HOSE CLAMP ASSY	1				
19	5GV-1246E-00	COVER 2	1				
20	90450-38040	HOSE CLAMP ASSY	1				
21	5GV-1246A-00	COVER 1	1				
22	90450-32001	HOSE CLAMP ASSY	1				
23	93210-47675	O-RING	1				
24	5EB-12469-00	JOINT 1	1				
25	95027-06020	BOLT, FLANGE	2				



5SL1300-B060

FIG. 6 RADIATOR & HOSE

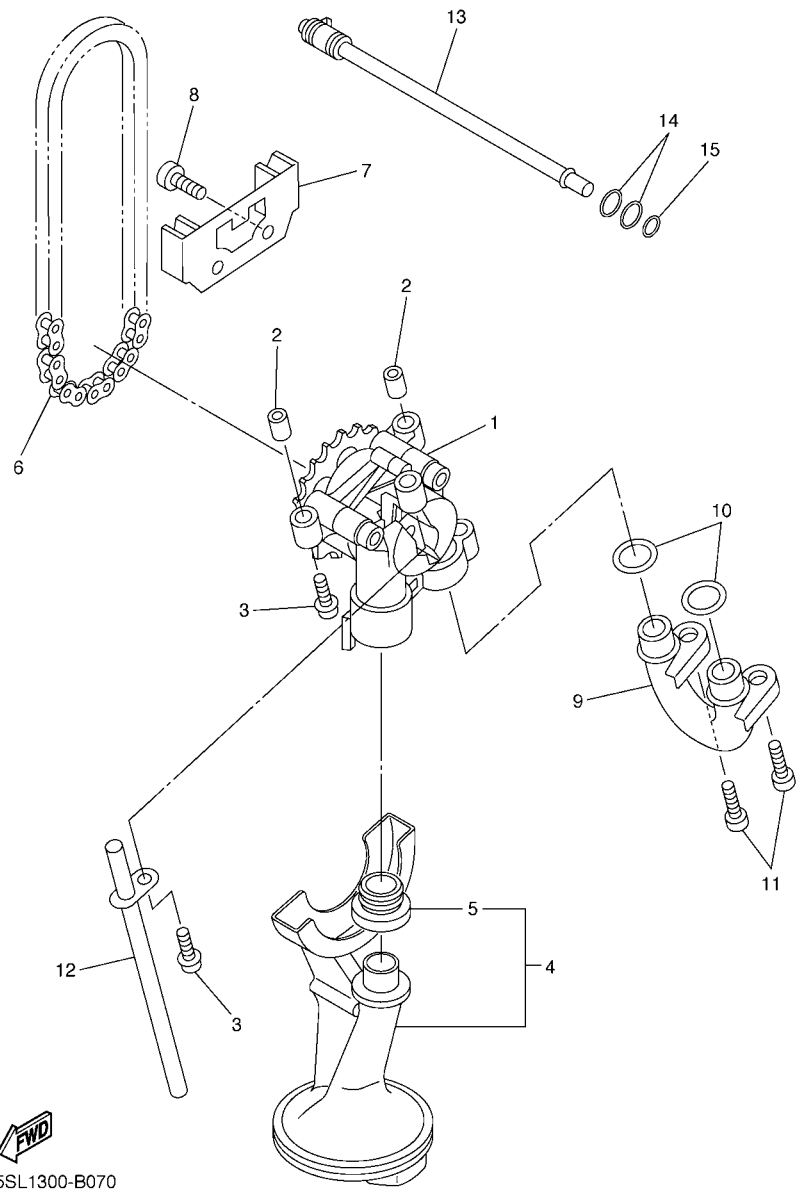
REF. NO.	PART NO.	DESCRIPTION	SSL1				REMARKS
1	5SL-12410-00	THERMOSTAT ASSY	1				
2	5EB-12413-00	COVER, THERMOSTAT	1				
3	91317-06020	BOLT	2				
4	5SL-12578-00	HOSE 3	1				
5	90450-35001	HOSE CLAMP ASSY	2				
6	5GV-1246E-00	COVER 2	1				
7	5SL-12461-00	RADIATOR ASSY	1				
8	5SL-12405-00	BLOWER ASSY	1				
9	5EB-12659-00	DAMPER, AIR SHROUD 2	2				
10	5EB-12668-00	DAMPER, AIR SHROUD 3	2				
11	90445-08016	HOSE	1				
12	90467-08075	CLIP	1				
13	90480-15363	GROMMET	3				
14	90387-07391	COLLAR	2				
15	5GJ-12675-00	BOLT, BLOWER HOLDING	3				
16	5SL-12579-00	HOSE 4	1				
17	90450-35001	HOSE CLAMP ASSY	1				
18	5SL-12462-00	CAP, RADIATOR	1				
19	90105-06040	BOLT, FLANGE	2				
20	90201-06071	WASHER, PLATE	2				
21	90450-35001	HOSE CLAMP ASSY	1				
22	90467-08075	CLIP	1				
23	5SL-1244E-00	BRACKET 1	1				
24	95827-06012	BOLT, FLANGE	1				
25	5SL-12582-00	JOINT, HOSE 2	1				
26	5SL-12551-00	HOSE 7	1				
27	90450-35001	HOSE CLAMP ASSY	1				



FWD  
5SL1300-B060

FIG. 6 RADIATOR & HOSE

REF. NO.	PART NO.	DESCRIPTION	5SL1				REMARKS
28	5SL-12589-01	HOSE 6	1				
29	90450-22017	HOSE CLAMP ASSY	1				
30	90450-25037	HOSE CLAMP ASSY	2				
31	5LV-1246F-00	COVER 3	2				
32	5SL-1243A-00	HOSE 1	1				
33	90467-11090	CLIP	2				
34	5SL-1243E-00	HOSE 2	1				
35	90467-11090	CLIP	2				
36	5SL-1244G-00	HOSE, 4	1				
37	90467-11090	CLIP	1				
38	90467-11090	CLIP	1				
39	90450-32001	HOSE CLAMP ASSY	1				

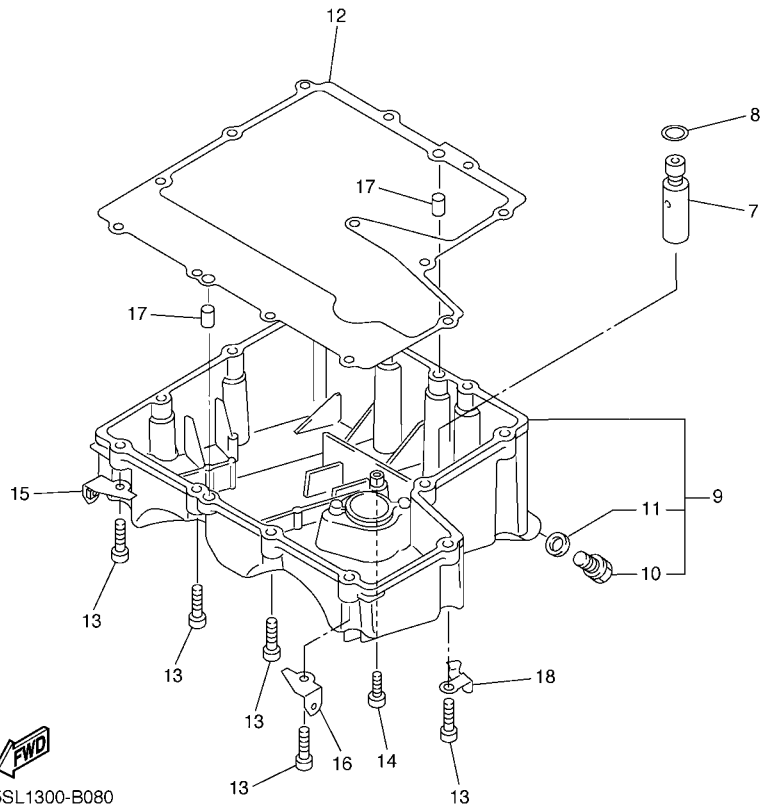
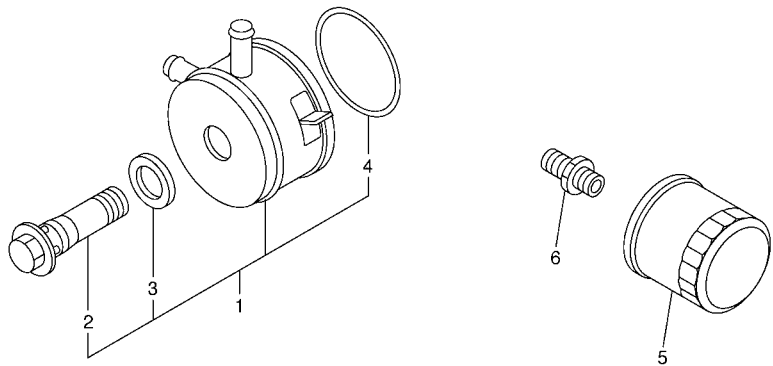


**FWD**  
5SL1300-B070

**FIG. 7 OIL PUMP**

REF. NO.	PART NO.	DESCRIPTION	5SL1				REMARKS
1	5MT-13300-00	OIL PUMP ASSY	1				
2	91808-17032	PIN, DOWEL	2				
3	90109-06031	BOLT	3				
4	5SL-13410-00	STRAINER HOUSING ASSY	1				
5	5EB-13415-00	.SEAL, OIL STRAINER	1				
6	94580-25080	CHAIN	1				
7	5EB-13898-00	HOLDER	1				
8	90110-06041	BOLT, HEXAGON SOCKET HEAD	2				
9	5JW-13416-00	PIPE, OIL 1	1				
10	93210-14003	O-RING	2				
11	90110-06041	BOLT, HEXAGON SOCKET HEAD	2				
12	5EB-13161-00	PIPE, DELIVERY 1	1				
13	5EB-1316E-00	PIPE, DELIVERY 5	1				
14	93210-09165	O-RING	2				
15	93210-06667	O-RING	1				

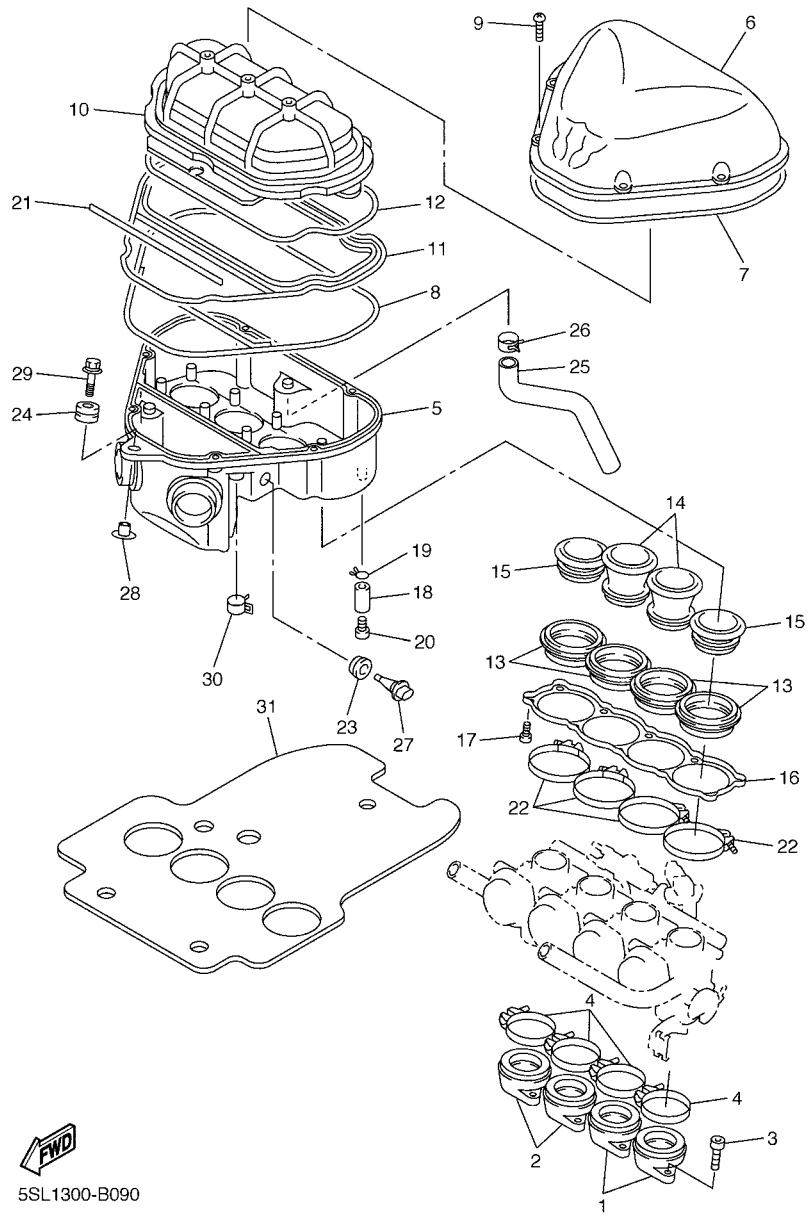




  
5SL1300-B080

**FIG. 8 OIL CLEANER**

REF. NO.	PART NO.	DESCRIPTION	5SL1				REMARKS
1	5EB-13470-00	OIL COOLER ASSY	1				
2	5EB-12822-00	.BOLT, UNION	1				
3	5EB-13475-00	.GASKET	1				
4	4JH-13473-00	.O-RING	1				
5	5GH-13440-00	ELEMENT ASSY, OIL CLEANER	1				
6	90401-20145	BOLT, UNION	1				
7	3KS-13490-00	RELIEF VALVE ASSY	1				
8	93210-15566	O-RING	1				
9	5SL-13417-00	COVER, STRAINER	1				
10	90340-14132	.PLUG, STRAIGHT SCREW	1				
11	214-11198-01	.GASKET	1				
12	5SL-13414-00	GASKET, STRAINER COVER	1				
13	91317-06025	BOLT	12				
14	90110-06020	BOLT, HEXAGON SOCKET HEAD	1				
15	5EB-2836E-00	BRACKET 2	1				
16	5EB-2836A-00	BRACKET 1	1				
17	99530-08012	PIN, DOWEL	2				
18	90465-10030	CLAMP	1				

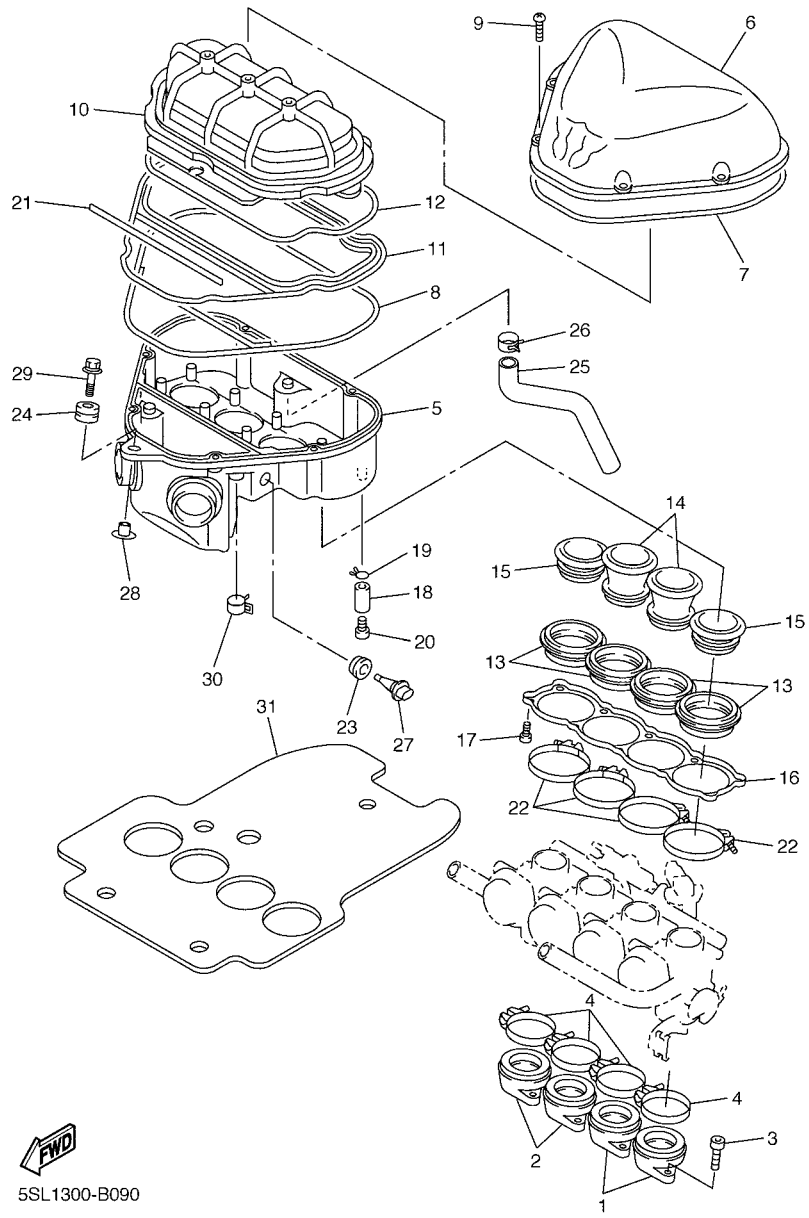


5SL1300-B090

**FIG. 9 INTAKE**

REF. NO.	PART NO.	DESCRIPTION	5SL1				REMARKS
1	5SL-13586-00	JOINT, CARBURETOR 1	2				
2	5SL-13596-00	JOINT, CARBURETOR 2	2				
3	91317-06020	BOLT	8				
4	90450-63001	HOSE CLAMP ASSY	4				
5	5SL-14411-00	CASE, AIR CLEANER 1	1				
6	5SL-14421-00	CASE, AIR CLEANER 2	1				
7	5EB-14452-00	SEAL	1				
8	5EB-14462-00	SEAL	1				
9	98507-05025	SCREW, PAN HEAD	6				
10	5SL-14450-00	ELEMENT ASSY, AIR CLEANER	1				
11	5EB-1441F-01	PARTITION, AIR CLEANER CASE	1				
12	5EB-14457-00	SEAL	1				
13	5SL-14453-00	JOINT, AIR CLEANER 1	4				
14	5SL-14469-00	FUNNEL, AIR	2				
15	5SL-14479-00	FUNNEL	2				
16	5SL-14477-00	PLATE	1				
17	97707-50120	SCREW, TAPPING	10				
18	90445-11795	HOSE (L30)	1				
19	90467-10041	CLIP	1				
20	90338-08174	PLUG	1				
21	5EB-14467-00	SEAL	1				
22	90450-53002	HOSE CLAMP ASSY	4				
23	5CA-14435-00	GROMMET	1				
24	90480-12314	GROMMET	1				
25	5SL-15373-00	PIPE, BREATHER	1				
26	90467-15054	CLIP	1				
27	5CA-85886-00	SENSOR, AIR TEMPRATURE	1				

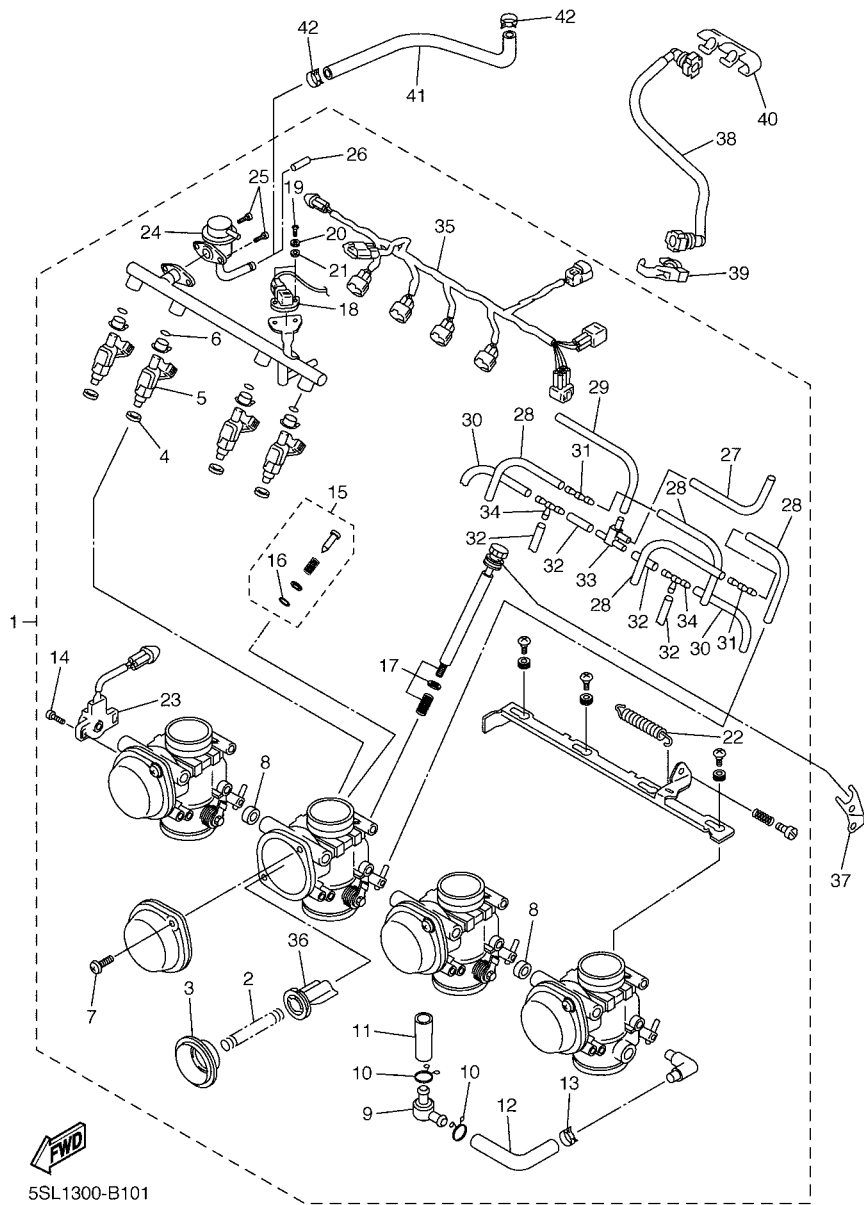
**B12**



5SL1300-B090

FIG. 9 INTAKE

REF. NO.	PART NO.	DESCRIPTION	5SL1				REMARKS
28	90387-065J6	COLLAR	1				
29	90119-06172	BOLT, WITH WASHER	1				
30	90467-17128	CLIP	2				
31	5SL-12682-00	PROTECTOR, HEAT	1				
-----							
-----							
-----							
-----							
-----							
-----							
-----							
-----							

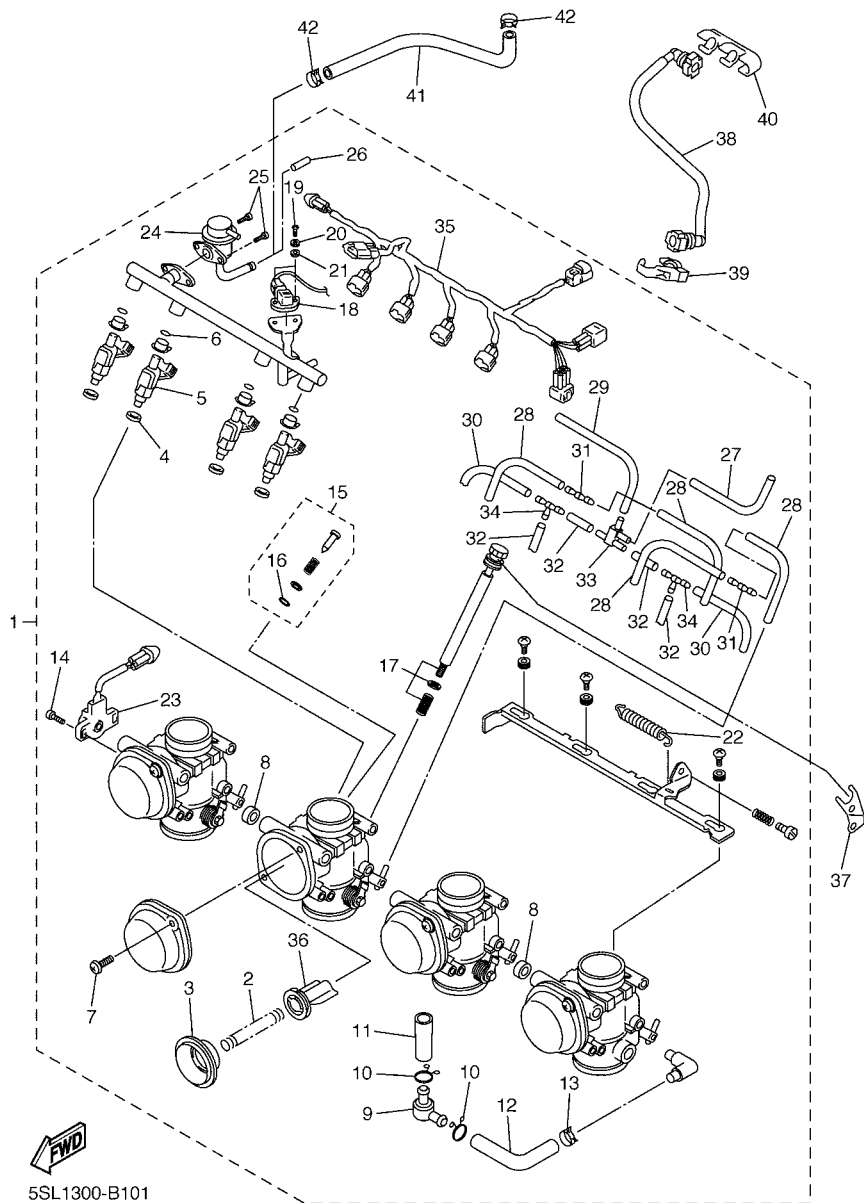


5SL1300-B101

FIG. 10 INTAKE 2

REF. NO.	PART NO.	DESCRIPTION	SSL1				REMARKS
1	5SL-13750-00	THROTTLE BODY ASSY	1				
2	4SV-14933-00	.SPRING, DIAPHRAGM	4				
3	5SL-24411-00	.DIAPHRAGM	4				
4	90430-09002	.GASKET	4				
5	5SL-13761-00	.INJECTOR ASSY	4				
6	5FL-14147-00	.O-RING	4				
7	4KM-14216-00	.SCREW	8				
8	5SL-14987-00	.HOSE	2				
9	3LN-24515-00	.NET, FILTER 2	2				
10	90467-15012	.CLIP	4				
11	5SL-14148-00	.PIPE	2				
12	5SL-14348-00	.PIPE 1	2				
13	90467-15001	.CLIP	2				
14	8CC-14216-10	.SCREW	2				
15	5JW-14104-00	.AIR SCREW SET	4				
16	3H1-14147-00	.O-RING	1				
17	5SL-14103-00	.THROTTLE SCREW SET	1				
18	5JW-82380-00	.SENSOR, PRESSURE	1				
19	98506-05016	.SCREW, PAN HEAD	2				
20	92906-05100	.WASHER, SPRING	2				
21	92906-05600	.WASHER, PLATE	2				
22	5JW-14589-00	.SPRING	1				
23	5SL-85885-00	.THROTTLE SENSOR ASSY	1				
24	5SL-13906-00	.REGULATOR, PRESSURE	1				
25	98507-05008	.SCREW, PAN HEAD	2				
26	5JW-14118-00	.CAP	1				
27	5SL-14349-00	.PIPE	1				

**B14**



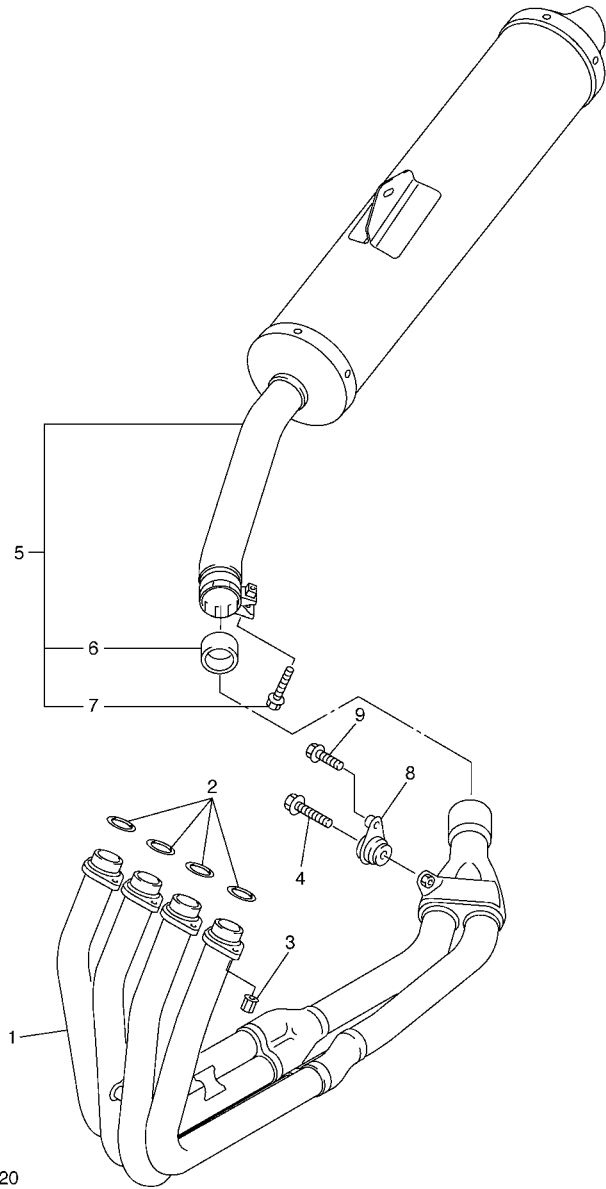
5SL1300-B101

FIG. 10 INTAKE 2

REF. NO.	PART NO.	DESCRIPTION	5SL1				REMARKS
28	5PW-14396-00	.PIPE	4				
29	5PW-14349-00	.PIPE	1				
30	68V-13533-00	.HOSE, VACUUM SENSING 4	2				
31	5PW-14251-00	.NIPPLE	2				
32	5FL-14348-10	.PIPE 1	4				
33	5PW-1410F-00	.CONNECTOR	1				
34	68V-24376-00	.PIPE, JOINT 1	2				
35	5SL-82386-00	.EXTENSION, WIRE HARNESS	1				
36	5PW-14112-00	.VALVE, THROTTLE 1	4				
37	5SL-14413-00	STAY	1				
38	5SL-13971-00	PIPE, FUEL 1	1				
39	90464-16005	CLAMP	1				
40	90464-16005	CLAMP	1				
41	5SL-13972-00	PIPE, FUEL 2	1				
42	90467-12003	CLIP	2				

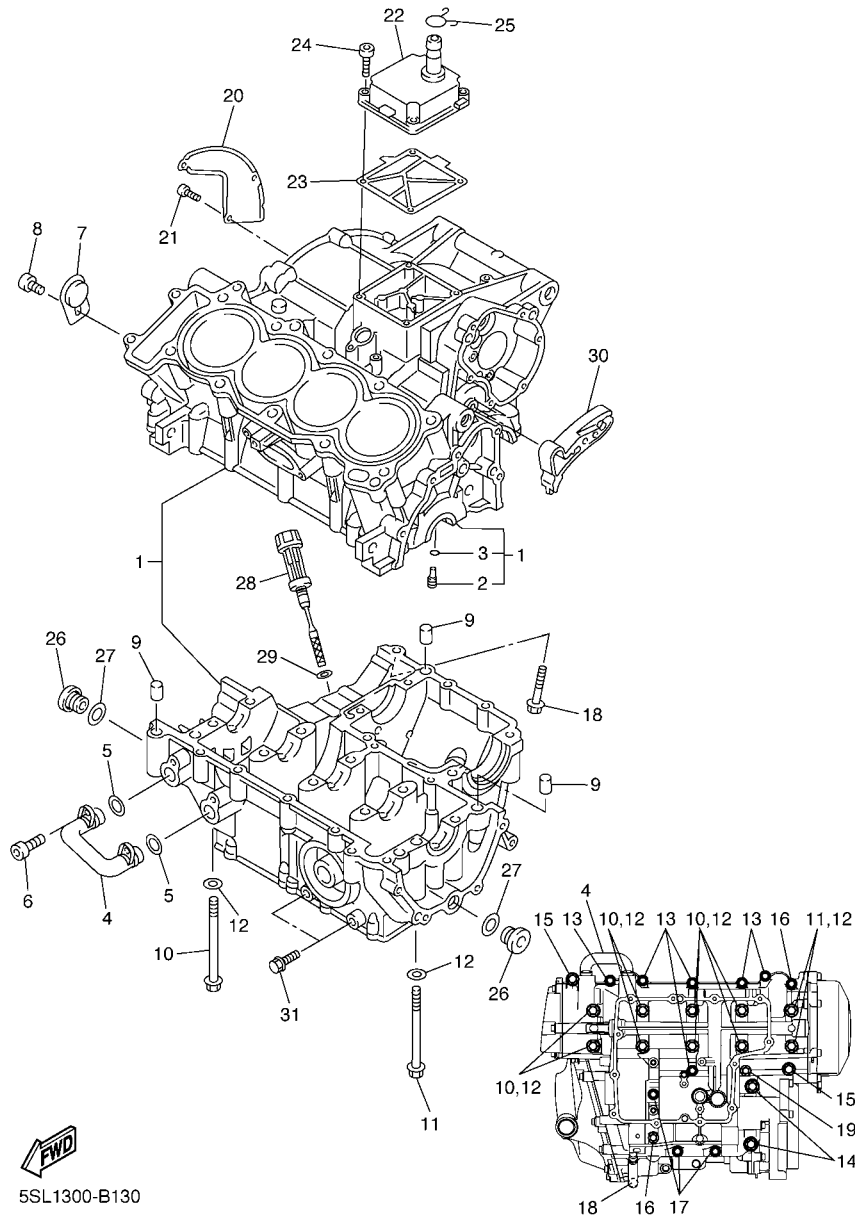


FIG. 12 EXHAUST



FWD  
5SL1300-B120

REF. NO.	PART NO.	DESCRIPTION	SSL1				REMARKS
1	5SL-14602-00	EXHAUST PIPE COMP.	1				
2	3YF-14613-01	GASKET, EXHAUST PIPE	4				
3	90179-08410	NUT	8				
4	95024-08035	BOLT, FLANGE	1				
5	5SL-14710-00	MUFFLER ASSY 1	1				
6	5SL-14714-00	GASKET, MUFFLER	1				
7	95814-08045	BOLT, FLANGE	1				
8	5SL-21446-10	STAY, MUFFLER 2	1				
9	90105-08054	BOLT, FLANGE	1				

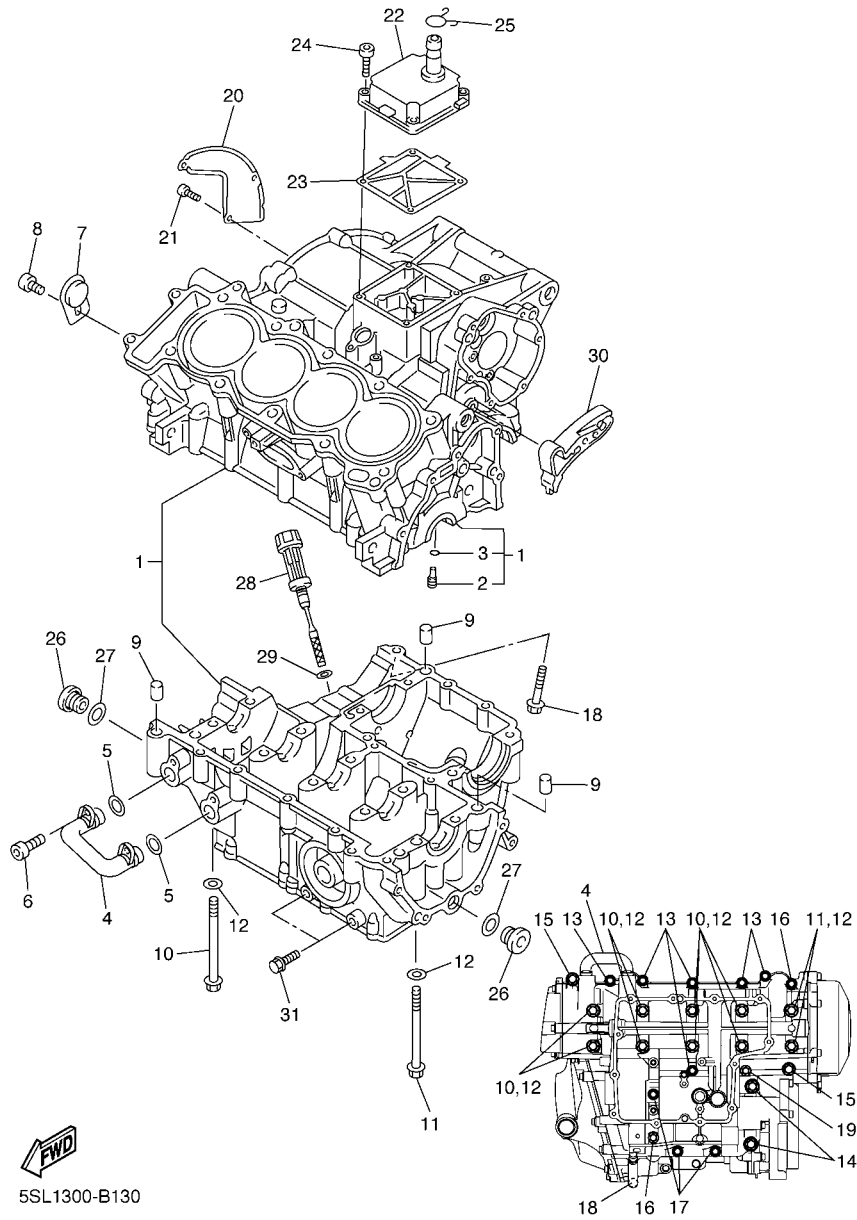


5SL1300-B130

FIG. 13 CRANKCASE

REF. NO.	PART NO.	DESCRIPTION	5SL1				REMARKS
1	5SL-15100-00	CRANKCASE ASSY	1				
2	5EB-15155-00	.NOZZLE 3	4				
3	93210-04092	.O-RING	4				
4	5EB-13418-00	PIPE, OIL 2	1				
5	93210-14579	O-RING	2				
6	90110-06091	BOLT, HEXAGON SOCKET HEAD	2				
7	5SL-15189-00	PLUG	1				
8	90149-06020	SCREW	1				
9	99530-10014	PIN, DOWEL	3				
10	90105-087A0	BOLT, FLANGE	8				
11	90105-086A9	BOLT, FLANGE	2				
12	90201-087K3	WASHER, PLATE	10				
13	95817-06055	BOLT, FLANGE	6				
14	95817-08065	BOLT, FLANGE	2				
15	90109-065G3	BOLT	2				
16	95817-06065	BOLT, FLANGE	2				
17	95817-06045	BOLT, FLANGE	3				
18	95817-06100	BOLT, FLANGE	1				
19	90105-06006	BOLT, FLANGE	1				
20	5SL-11165-00	PLATE, BREATHER	1				
21	90149-06020	SCREW	3				
22	5SL-15413-00	COVER	1				
23	5SL-15462-00	GASKET, CRANKCASE COVER 3	1				
24	91314-06025	BOLT	4				
25	90467-14015	CLIP	1				
26	36Y-15189-00	PLUG	2				
27	93210-16325	O-RING	2				

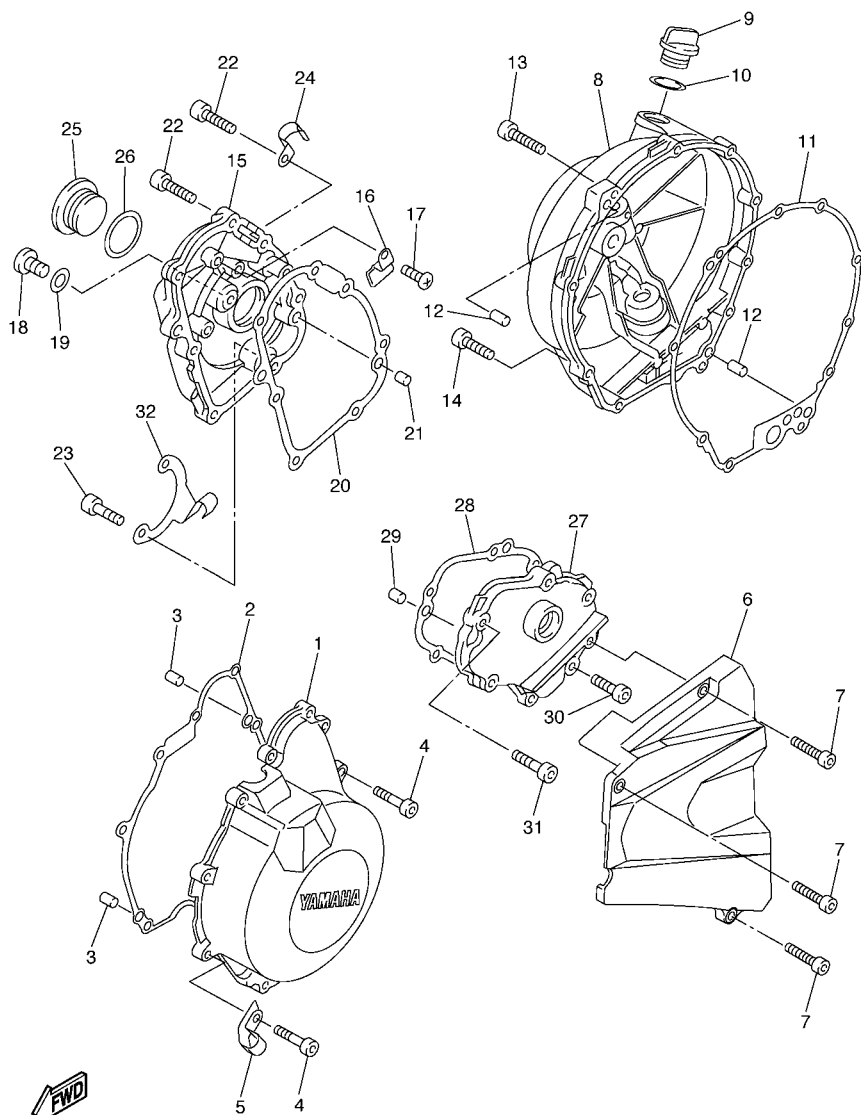




5SL1300-B130

FIG. 13 CRANKCASE

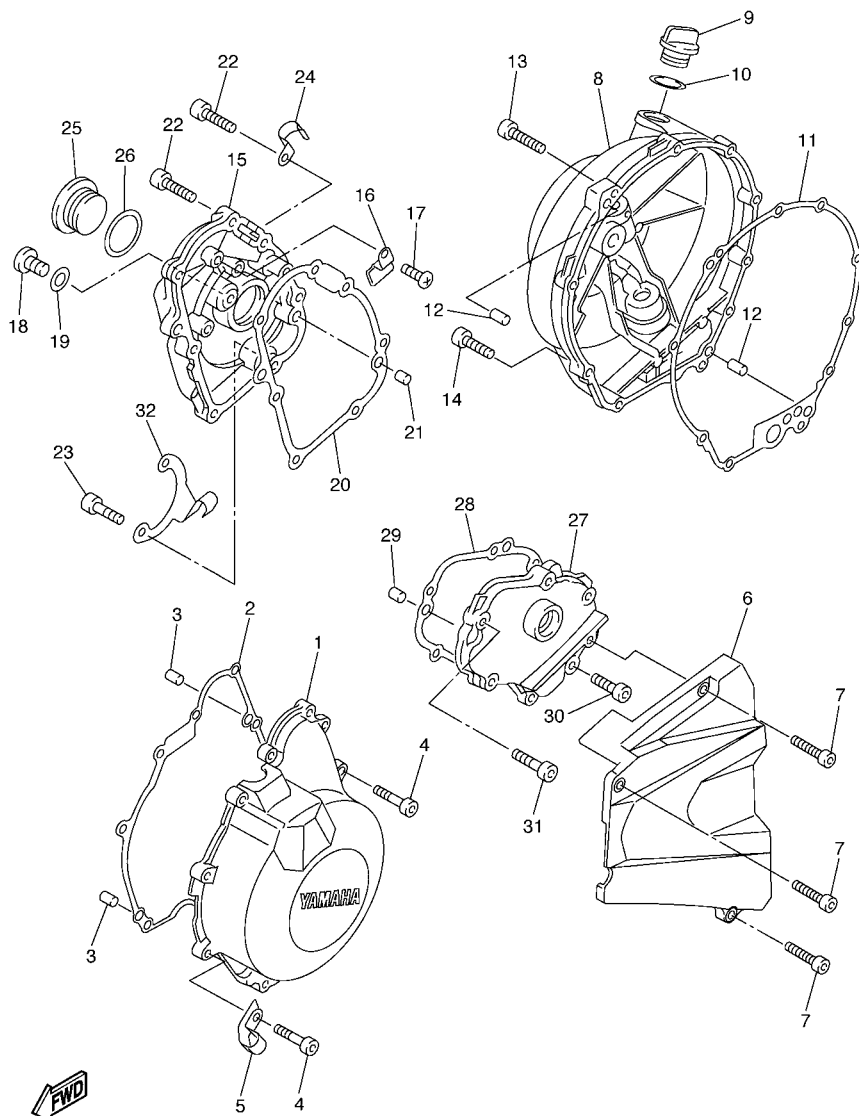
REF. NO.	PART NO.	DESCRIPTION	5SL1				REMARKS
28	5EB-15362-00	PLUG, OIL LEVEL	1				
29	93210-09165	O-RING	1				
30	5SL-15377-00	GUIDE, INLET	1				
31	90105-06047	BOLT, FLANGE	2				
-----							
-----							
-----							
-----							
-----							
-----							
-----							
-----							
-----							
-----							



5SL1300-B140

FIG. 14 CRANKCASE COVER 1

REF. NO.	PART NO.	DESCRIPTION	5SL1				REMARKS
1	5SL-15411-00	COVER, CRANKCASE 1	1				
2	5SL-15451-00	GASKET, CRANKCASE COVER 1	1				
3	99530-08012	PIN, DOWEL	2				
4	91314-06025	BOLT	9				
5	90461-10006	CLAMP	1				
6	5SL-15418-00	COVER, CHAIN CASE	1				
7	91314-06025	BOLT	3				
8	5SL-15421-00	COVER, CRANKCASE 2	1				
9	3F9-15362-00	PLUG, OIL LEVEL	1				
10	93210-27194	O-RING	1				
11	5SL-15461-00	GASKET, CRANKCASE COVER 2	1				
12	93608-17263	PIN, DOWEL	2				
13	90109-06031	BOLT	9				
14	90110-06071	BOLT, HEXAGON SOCKET HEAD	1				
15	5SL-15416-00	COVER, OIL PUMP	1				
16	90465-14011	CLAMP	1				
17	98507-06012	SCREW, PAN HEAD	1				
18	92014-08014	BOLT, BUTTON HEAD	1				
19	90430-08143	GASKET	1				
20	5SL-15456-00	GASKET, OIL PUMP COVER 1	1				
21	99530-08012	PIN, DOWEL	2				
22	90109-06014	BOLT	5				
23	90109-06015	BOLT	2				
24	90465-08395	CLAMP	1				
25	90340-32004	PLUG, STRAIGHT SCREW	1				
26	93210-32172	O-RING	1				
27	5SL-15425-00	COVER, GENERATOR 2	1				

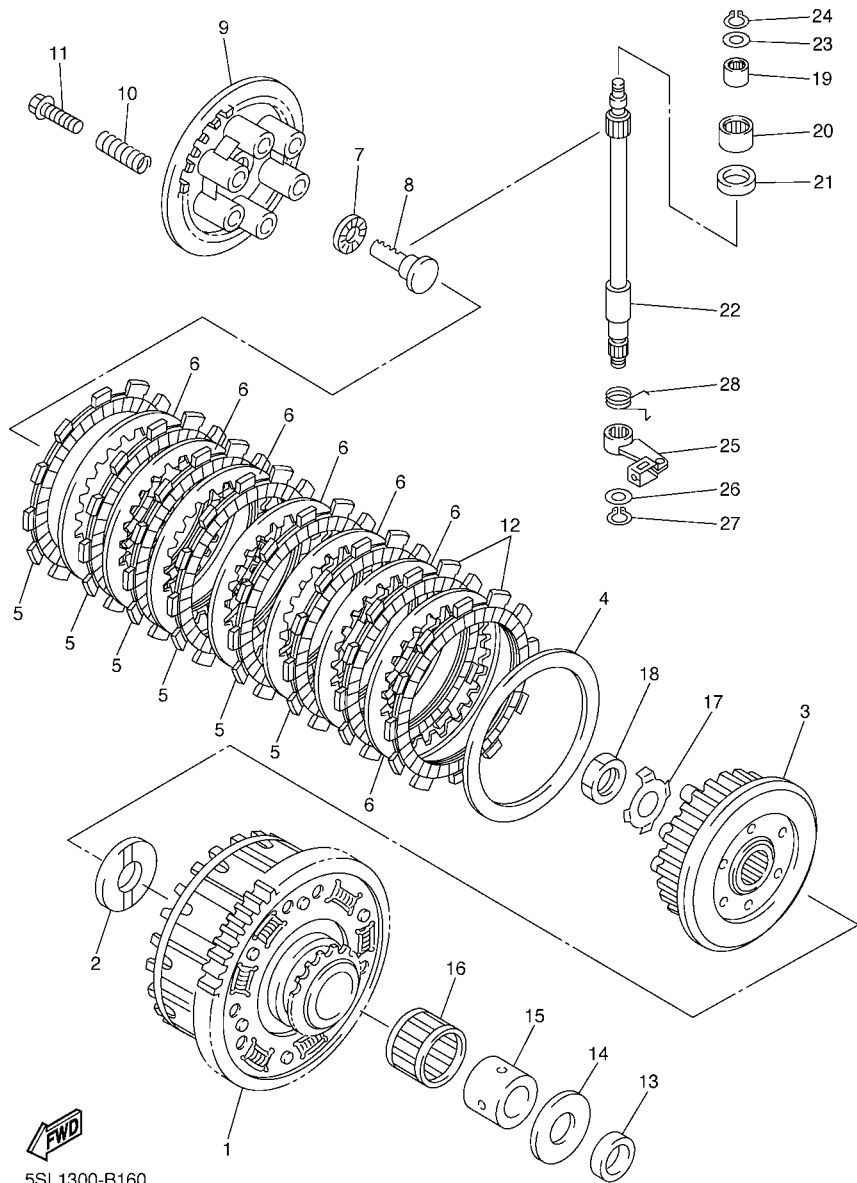


5SL1300-B140

FIG. 14 CRANKCASE COVER 1

REF. NO.	PART NO.	DESCRIPTION	5SL1				REMARKS
28	5SL-15463-00	GASKET, CARBURETOR COVER 2	1				
29	99530-08012	PIN, DOWEL	2				
30	90109-06014	BOLT	2				
31	90109-06015	BOLT	4				
32	5EB-15441-00	HOLDER, CLUTCH CABLE	1				
-----							
-----							
-----							
-----							
-----							
-----							
-----							
-----							
-----							
-----							





**FWD**  
5SL1300-B160

**FIG. 16 CLUTCH**

REF. NO.	PART NO.	DESCRIPTION	5SL1				REMARKS
1	5SL-16150-00	PRIMARY DRIVEN GEAR COMP.	1				
2	5EB-16154-00	PLATE, THRUST 1	1				
3	5SL-16371-00	BOSS, CLUTCH	1				
4	168-16324-00	PLATE, CLUTCH 1 (T=2.3)	1				
5	4FN-16321-00	PLATE, FRICTION	6				
6	3J2-16324-00	PLATE, CLUTCH 1 (T=2.0)	7				
7	93306-00304	BEARING (B6003C4)	1				
8	5EB-16356-01	ROD, PUSH 1	1				
9	5EB-16351-01	PLATE, PRESSURE 1	1				
10	90501-237L0	SPRING, COMPRESSION	6				
11	90159-06002	SCREW, WITH WASHER	6				
12	5SL-16321-00	PLATE, FRICTION	2				
13	90201-255A6	WASHER, PLATE	1				
14	1AE-16164-00	PLATE, THRUST 2	1				
15	90560-25270	SPACER	1				
16	93310-340N8	BEARING	1				
17	90215-20004	WASHER, LOCK	1				
18	90170-20008	NUT	1				
19	93317-11020	BEARING	1				
20	93315-31502	BEARING	1				
21	93102-15212	OIL SEAL	1				
22	5EB-16382-00	AXLE, PUSH LEVER	1				
23	92907-08600	WASHER, PLATE	1				
24	99001-07600	CIRCLIP	1				
25	5SL-16340-00	PUSH LEVER ASSY	1				
26	90201-10614	WASHER, PLATE	1				
27	99001-09600	CIRCLIP	1				

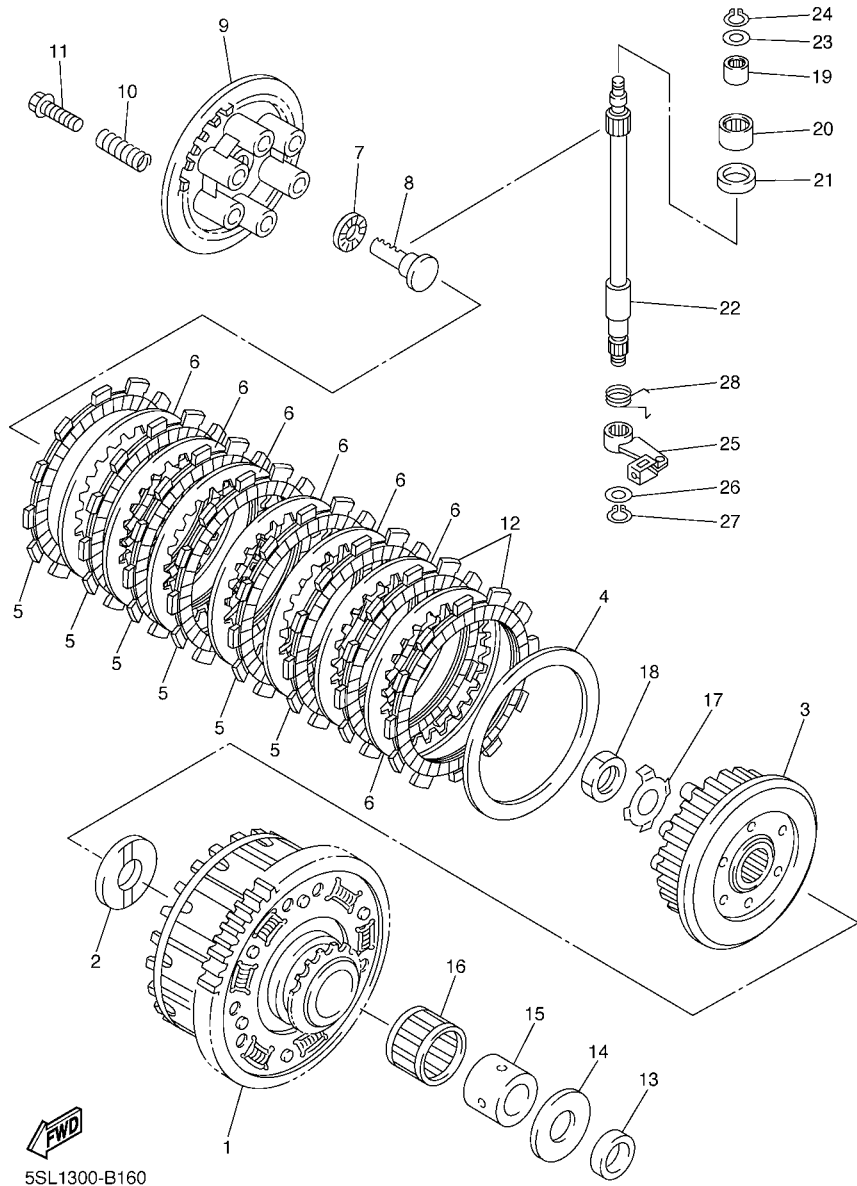
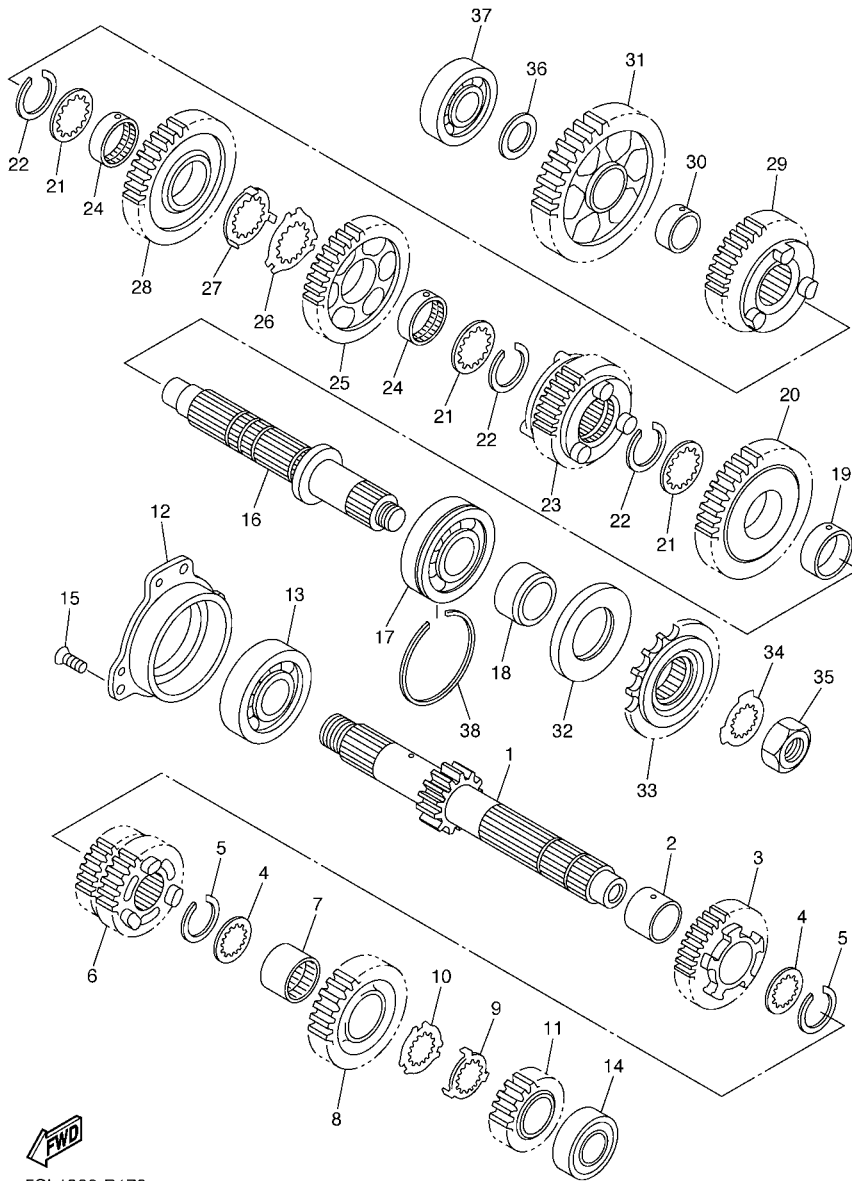


FIG. 16 CLUTCH

REF. NO.	PART NO.	DESCRIPTION	5SL1				REMARKS
28	90508-165B1	SPRING, TORSION	1				



5SL1300-B170

FIG. 17 TRANSMISSION

REF. NO.	PART NO.	DESCRIPTION	5SL1				REMARKS
1	5SL-17411-00	AXLE, MAIN (13T)	1				
2	90387-253M6	COLLAR	1				
3	5SL-17151-20	GEAR, 5TH PINION (21T)	1				
4	90209-21332	WASHER	2				
5	93440-25185	CIRCLIP	2				
6	5SL-17131-20	GEAR, 3RD PINION (18T/24T)	1				
7	90387-2513E	COLLAR	1				
8	5SL-17161-00	GEAR, 6TH PINION (24T)	1				
9	90209-22352	WASHER	1				
10	90209-21351	WASHER	1				
11	5SL-17121-00	GEAR, 2ND PINION (19T)	1				
12	5EB-15163-01	HOUSING, BEARING 1	1				
13	93306-30525	BEARING (B6305)	1				
14	93306-20464	BEARING	1				
15	90151-06008	SCREW, COUNTERSUNK	3				
16	5SL-17421-00	AXLE, DRIVE	1				
17	93306-30546	BEARING (B6305A5 SPECIAL)	1				
18	90387-2504A	COLLAR	1				
19	90387-2813C	COLLAR	1				
20	5SL-17221-10	GEAR, 2ND WHEEL (37T)	1				
21	90209-25342	WASHER	3				
22	93440-28062	CIRCLIP	3				
23	5SL-17261-10	GEAR, 6TH WHEEL (26T)	1				
24	90387-2813D	COLLAR	2				
25	5SL-17241-00	GEAR, 4TH WHEEL (32T)	1				
26	90209-25349	WASHER	1				
27	90209-25350	WASHER	1				





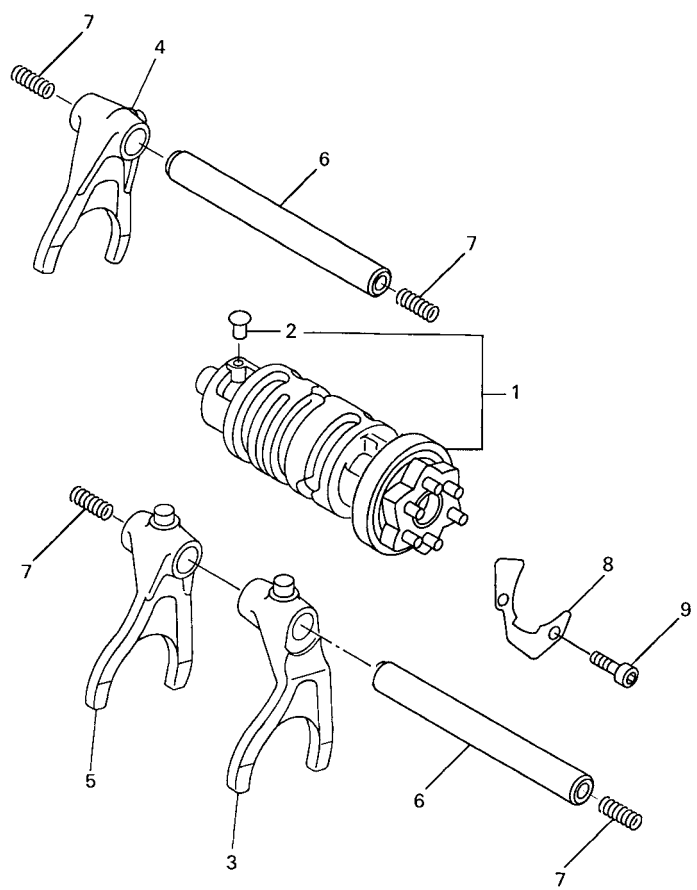
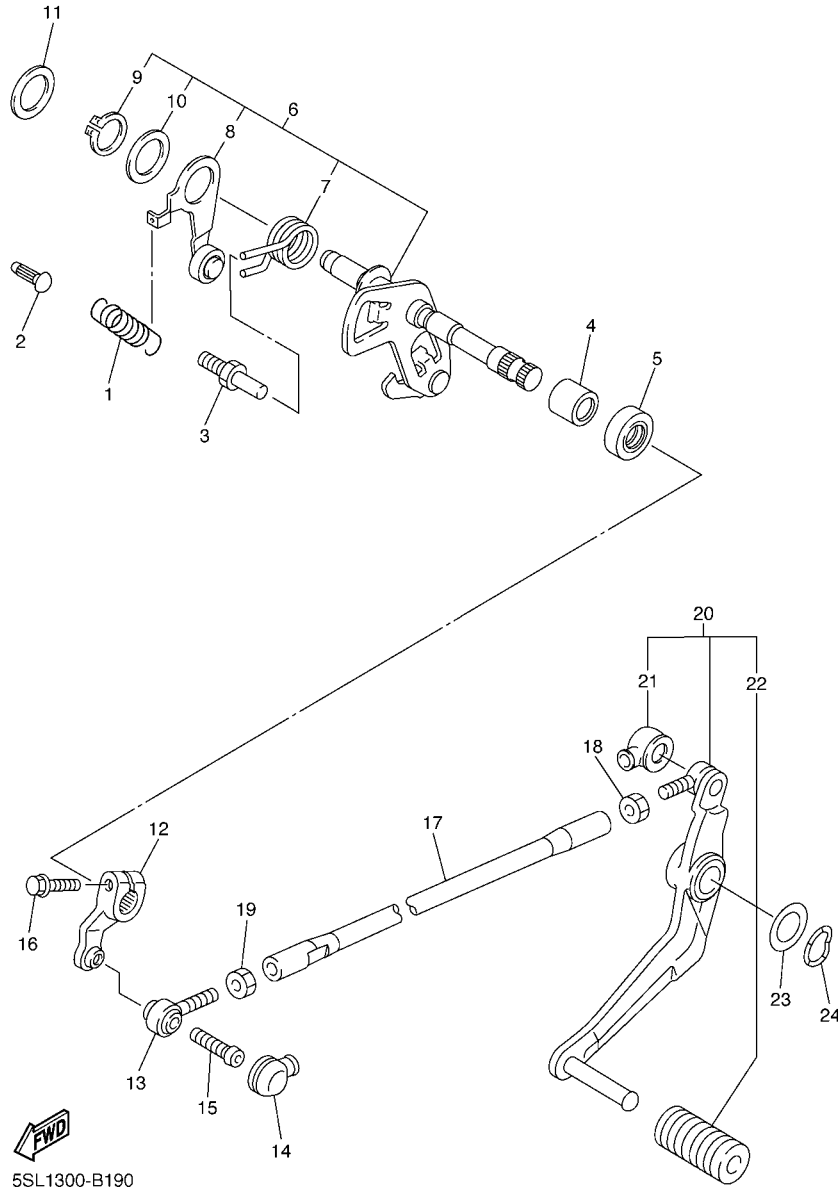


FIG. 18 SHIFT CAM & FORK

REF. NO.	PART NO.	DESCRIPTION	SSL1				REMARKS
1	5SL-18540-00	SHIFT CAM ASSY	1				
2	136-18542-00	.POINT, NEUTRAL	1				
3	5SL-18511-00	FORK, SHIFT 1	1				
4	5MT-18512-00	FORK, SHIFT 2	1				
5	5EB-18513-00	FORK, SHIFT 3	1				
6	4XV-18531-00	BAR, SHIFT FORK GUIDE 1	2				
7	90501-064L1	SPRING, COMPRESSION	4				
8	5EB-18536-00	STOPPER, SHIFT BAR	1				
9	90110-06018	BOLT, HEXAGON SOCKET HEAD	2				

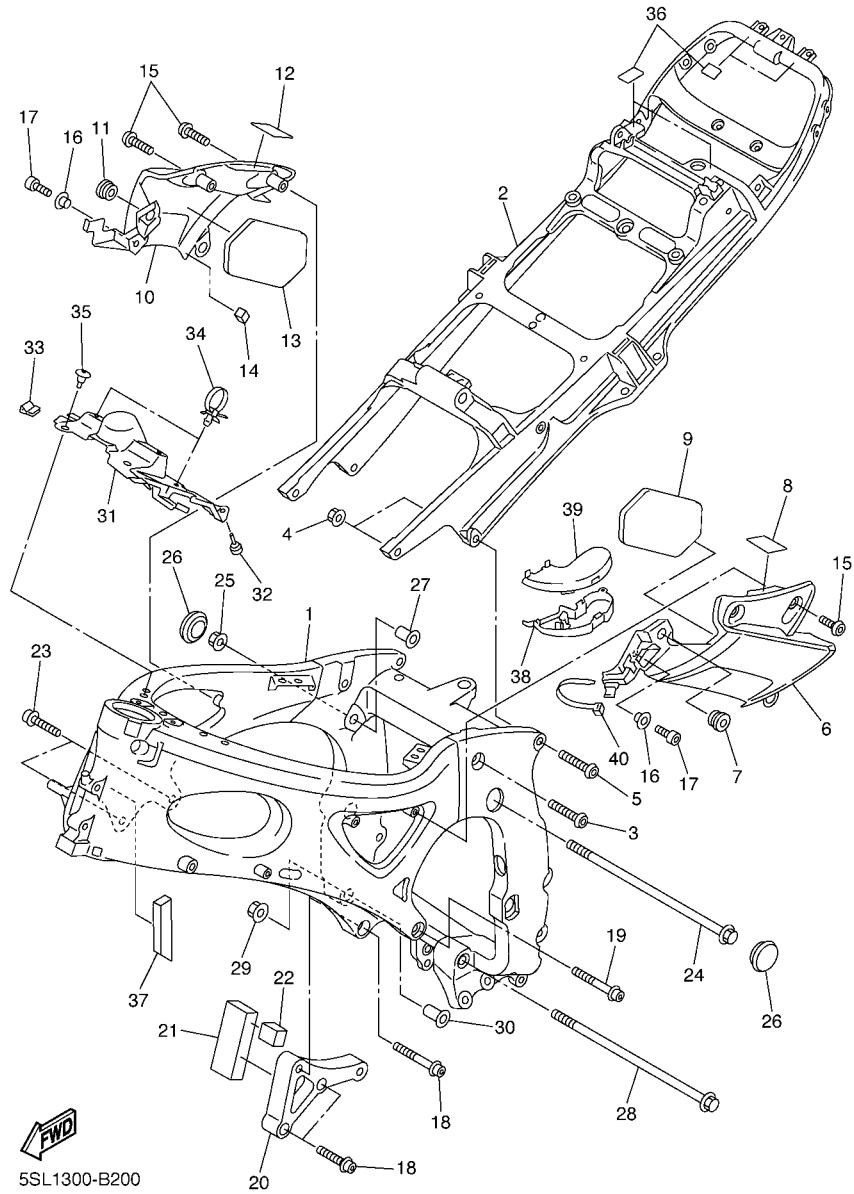


5EB3351-9170



**FIG. 19 SHIFT SHAFT**

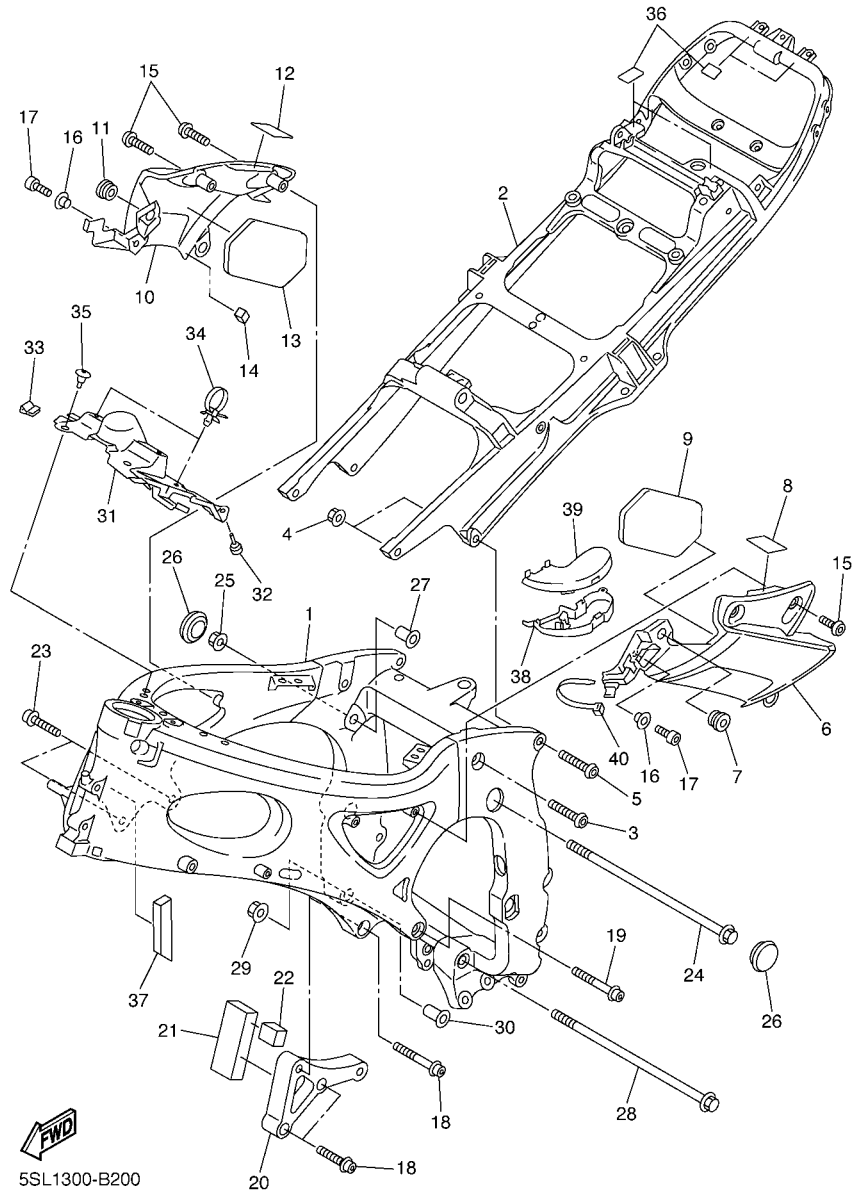
REF. NO.	PART NO.	DESCRIPTION	SSL1				REMARKS
1	90506-14003	SPRING, TENSION	1				
2	132-16346-00	HOOK, SPRING	1				
3	5SL-18127-00	STOPPER, SCREW	1				
4	93317-11287	BEARING	1				
5	93101-12004	OIL SEAL	1				
6	5SL-18101-00	SHIFT SHAFT ASSY	1				
7	90508-295B2	.SPRING, TORSION	1				
8	5SL-18140-00	.STOPPER LEVER ASSY	1				
9	99009-17400	.CIRCLIP	1				
10	90201-177G4	.WASHER, PLATE	1				
11	90201-154E8	WASHER, PLATE (T=1.0)	1				
12	5EB-18112-01	ARM, SHIFT	1				
13	5LV-18116-00	JOINT, ROD 1	1				
14	4XV-18154-00	COVER, DUST	1				
15	90111-06019	BOLT	1				
16	95824-06020	BOLT, FLANGE	1				
17	5SL-18115-00	ROD, SHIFT	1				
18	90170-08358	NUT	1				
19	95304-06700	NUT	1				
20	5EB-18110-10	SHIFT PEDAL ASSY	1				
21	2H9-18154-00	.COVER, DUST	1				
22	5EB-18113-00	.COVER, SHIFT PEDAL	1				
23	90201-12013	WASHER, PLATE	1				
24	90206-12074	WASHER, WAVE	1				



5SL1300-B200

FIG. 20 FRAME

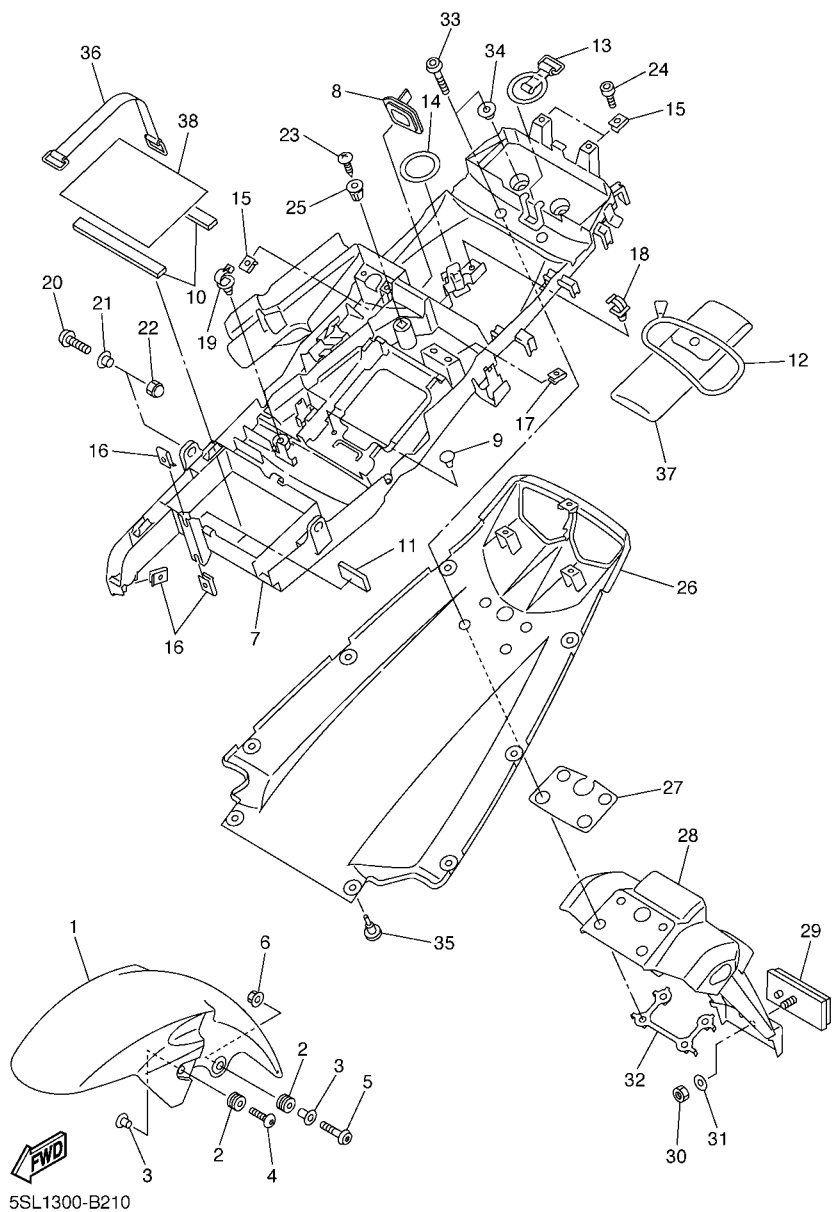
REF. NO.	PART NO.	DESCRIPTION	5SL1				REMARKS
1	5SL-21110-00	FRAME COMP.	1				
2	5SL-21190-00	REAR FRAME COMP.	1				
3	90149-10007	SCREW	2				
4	90185-10002	NUT, SELF-LOCKING	4				
5	90149-10006	SCREW	2				
6	5SL-2117V-00	COVER 7	1				
7	90480-13398	GROMMET	1				
8	3KJ-24723-00	DAMPER, SEAT	1				
9	5SL-28415-00	DAMPER 1	1				
10	5SL-2117W-00	COVER 8	1				
11	90480-13398	GROMMET	1				
12	3KJ-24723-00	DAMPER, SEAT	1				
13	5SL-28415-00	DAMPER 1	1				
14	5SL-21649-00	DAMPER	1				
15	90111-05006	BOLT	4				
16	90387-050X4	COLLAR	2				
17	91317-05012	BOLT	2				
18	90110-10008	BOLT, HEXAGON SOCKET HEAD	3				
19	90110-10007	BOLT, HEXAGON SOCKET HEAD	1				
20	5SL-21283-00	SUPPORT, ENGINE	1				
21	5SL-21488-00	DAMPÉR	1				
22	5SL-21486-00	DAMPER 2	1				
23	90110-10008	BOLT, HEXAGON SOCKET HEAD	2				
24	90105-10042	BOLT, FLANGE	1				
25	90179-10696	NUT	1				
26	90338-27007	PLUG	2				
27	5EB-21495-00	BOLT, ENGINE ADJUSTING	1				



5SL1300-B200

FIG. 20 FRAME

REF. NO.	PART NO.	DESCRIPTION	5SL1				REMARKS
28	90105-106A2	BOLT, FLANGE	1				
29	90179-10696	NUT	1				
30	5EB-21495-00	BOLT, ENGINE ADJUSTING	1				
31	5SL-2117M-00	COVER 2	1				
32	36Y-21639-00	DAMPER 2	2				
33	5SL-21208-00	SEAL SET, 1	1				
34	90464-12036	CLAMP	2				
35	90269-07077	RIVET	2				
36	5SL-21268-00	SEAL	4				
37	5SL-2139X-00	DAMPER	1				
38	5SL-8258J-00	HOUSING, CONNECTEUR 1	1				
39	5SL-8259J-00	HOUSING, CONNECTEUR 2	1				
40	90464-15195	CLAMP	1				



5SL1300-B210

FIG. 21 FENDER

REF. NO.	PART NO.	DESCRIPTION	5SL1				REMARKS
1	5SL-21511-00-P0	FENDER, FRONT	1				UR VRC1
	5SL-21511-00-P1	FENDER, FRONT	1				UR DPBMC
	5SL-21511-00-P2	FENDER, FRONT	1				UR S3
	5SL-21511-00-P3	FENDER, FRONT	1				UR RYC1
2	90480-14003	GROMMET	4				
3	90387-06057	COLLAR	4				
4	90111-06040	BOLT	2				
5	92014-06025	BOLT, BUTTON HEAD	2				
6	95707-06500	NUT, FLANGE	2				
7	5SL-8212B-00	BOX, BATTERY 1	1				
8	5MT-2172X-00	COVER, TAILLIGHT	1				
9	90338-06018	PLUG	2				
10	1AE-2834E-00	DAMPER 1	2				
11	3KJ-24723-00	DAMPER, SEAT	5				
12	3YX-21376-00	BAND, TOOL	1				
13	5SL-21646-00	BAND	1				
14	5SL-21647-00	BAND	1				
15	90183-05076	NUT, SPRING	3				
16	90183-06053	NUT, SPRING	3				
17	90183-04039	NUT, SPRING	2				
18	90464-07259	CLAMP	1				
19	90464-13249	CLAMP	1				
20	90111-06007	BOLT	2				
21	90387-06022	COLLAR	2				
22	90176-06055	NUT, CROWN	2				
23	97707-60020	SCREW, TAPPING	1				
24	91317-05012	BOLT	2				

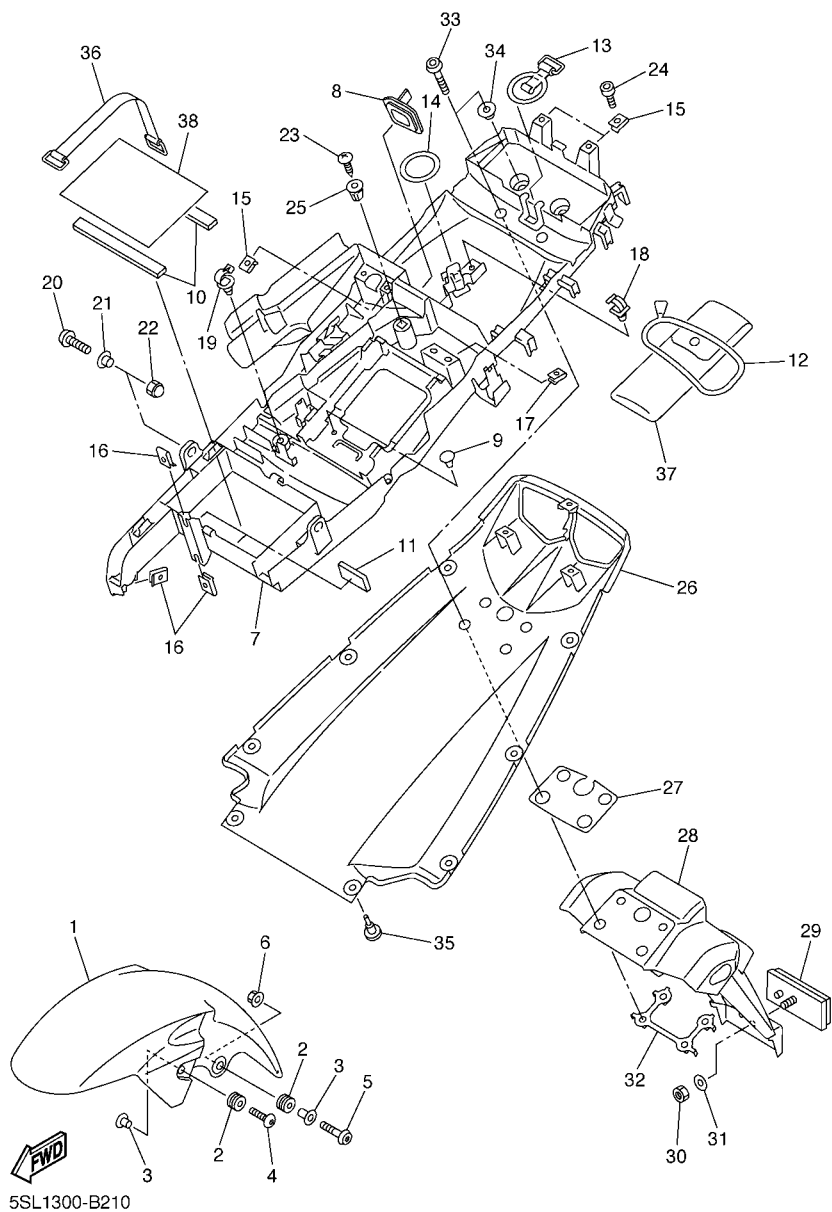
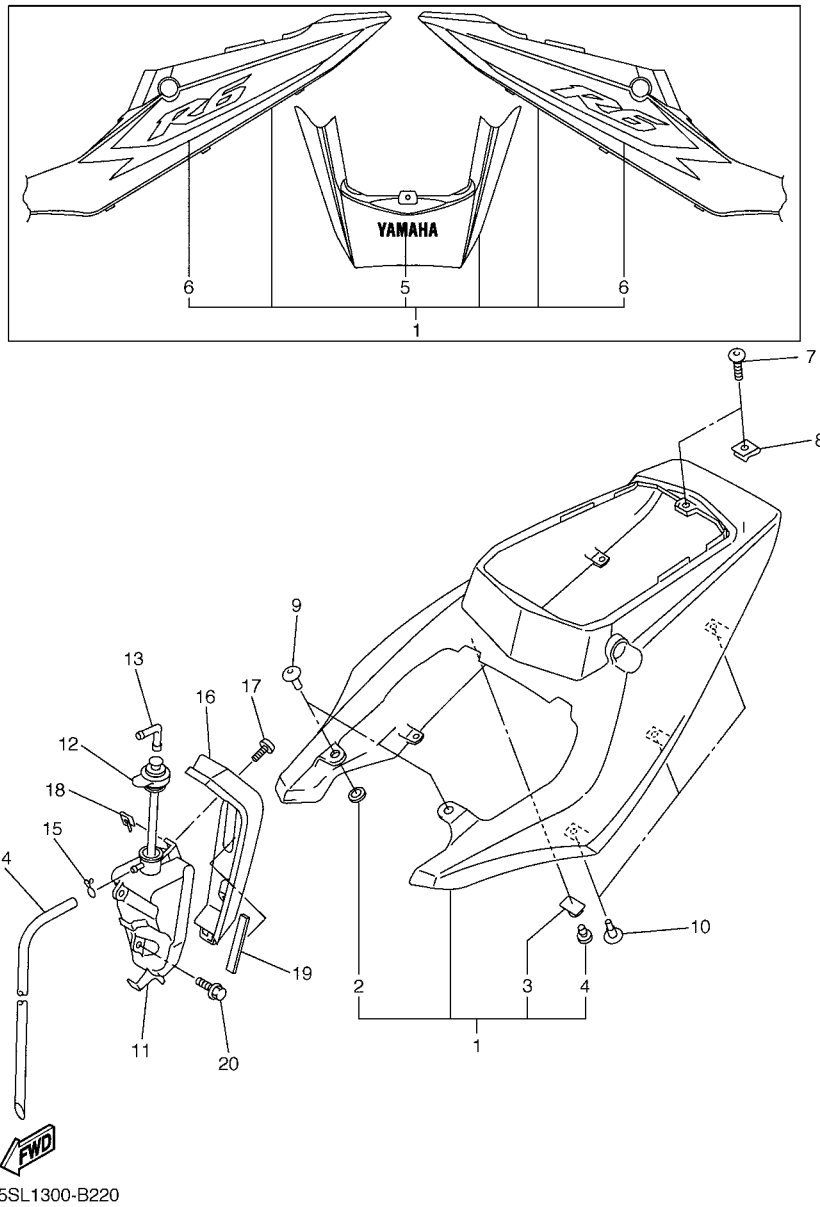


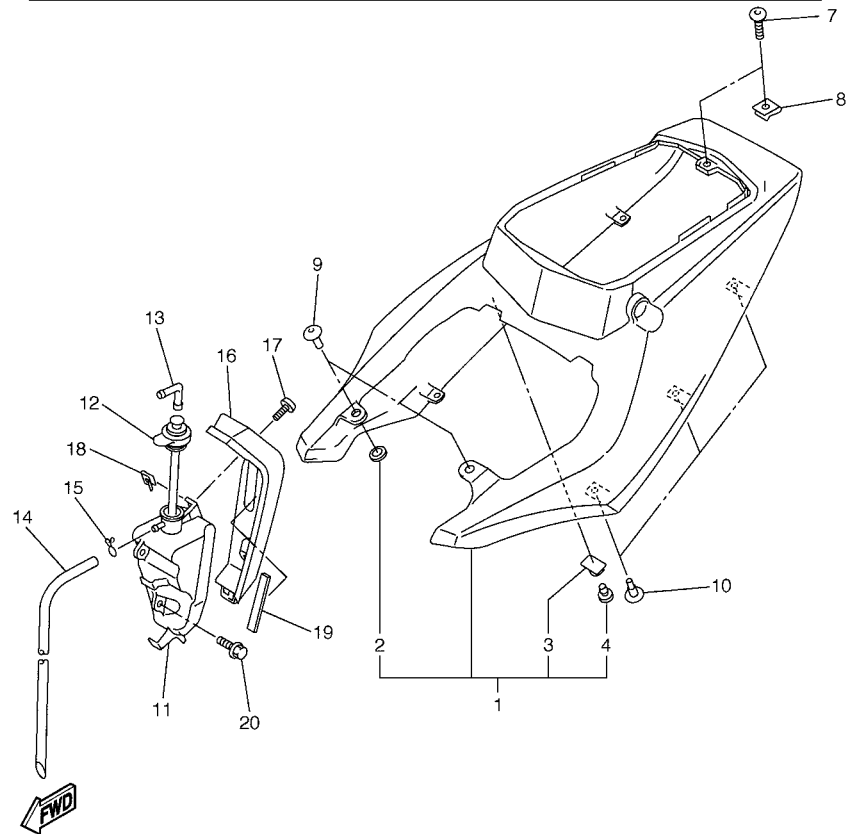
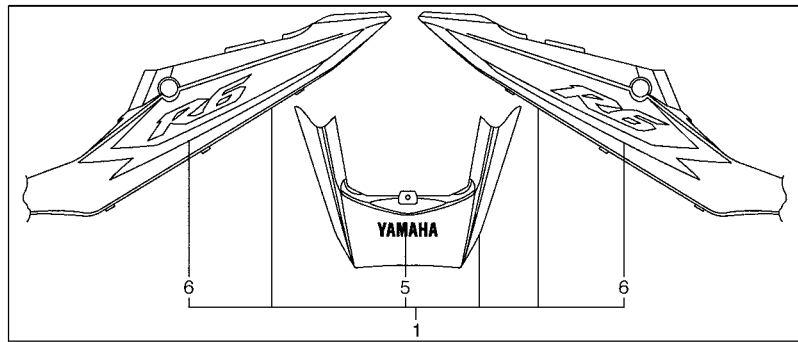
FIG. 21 FENDER

REF. NO.	PART NO.	DESCRIPTION	5SL1				REMARKS
25	90338-08226	PLUG	1				
26	5SL-21611-00-P0	FENDER, REAR	1				UR VRC1
	5SL-21611-00-P1	FENDER, REAR	1				UR DPBMC
	5SL-21611-00-P2	FENDER, REAR	1				UR S3
	5SL-21611-00-P3	FENDER, REAR	1				UR RYC1
27	5SL-21669-00	SEAL	1				
28	5SL-21629-00	GUARD, MUD	1				
29	3Y6-85130-02	REAR REFLECTOR ASSY	1				
30	95607-05100	NUT, U	1				
31	90201-05725	WASHER, PLATE	1				
32	5PW-2161G-00	BRACKET 6	1				
33	92017-06020	BOLT, BUTTON HEAD	4				
34	90387-065G0	COLLAR	2				
35	90269-07077	RIVET	2				
36	5JJ-82131-00	BAND, BATTERY	1				
37	5SL-28100-00	TOOL KIT	1				
38	5EB-14733-00	MAT 1	1				



**FIG. 22 SIDE COVER**

REF. NO.	PART NO.	DESCRIPTION	SSL1				REMARKS
1	5SL-Y2171-00-P0	COVER, SIDE 1	1				UR VRC1
	5SL-Y2171-10-P1	COVER, SIDE 1	1				UR DPBMC
	5SL-Y2171-20-P2	COVER, SIDE 1	1				UR S3
	5SL-Y2171-30-P3	COVER, SIDE 1	1				UR RYC1
2	5PW-2174X-00	.DAMPER	2				
3	5SL-2172E-00	.STAY, SIDE COVER 1	1				
4	90338-06018	.PLUG	1				
5	99241-00080	.EMBLEM, YAMAHA	1				UR FOR VRC1,DPBMC
	99247-00080	.EMBLEM, YAMAHA	1				UR FOR S3
	99244-00080	.EMBLEM, YAMAHA	1				UR FOR RYC1
6	5SL-2173L-00	.GRAPHIC SET 1	1				UR FOR VRC1
	5SL-2173L-10	.GRAPHIC SET 1	1				UR FOR DPBMC
	5SL-2173L-20	.GRAPHIC SET 1	1				UR FOR S3
	5SL-2173L-30	.GRAPHIC SET 1	1				UR FOR RYC1
7	90110-05201	BOLT, HEXAGON SOCKET HEAD	1				
8	90183-05076	NUT, SPRING	1				
9	90269-07076	RIVET	2				
10	90269-07077	RIVET	6				
11	5SL-21871-00	TANK, RECOVERY	1				
12	4NK-21875-00	CAP	1				
13	26H-21828-00	ELBOW	1				
14	90445-08376	HOSE (L330)	1				
15	90467-08003	CLIP	1				
16	5SL-2172W-00	COVER	1				
17	90111-05002	BOLT	2				
18	90183-050A0	NUT, SPRING	2				
19	5SL-21746-00	DAMPER	1				

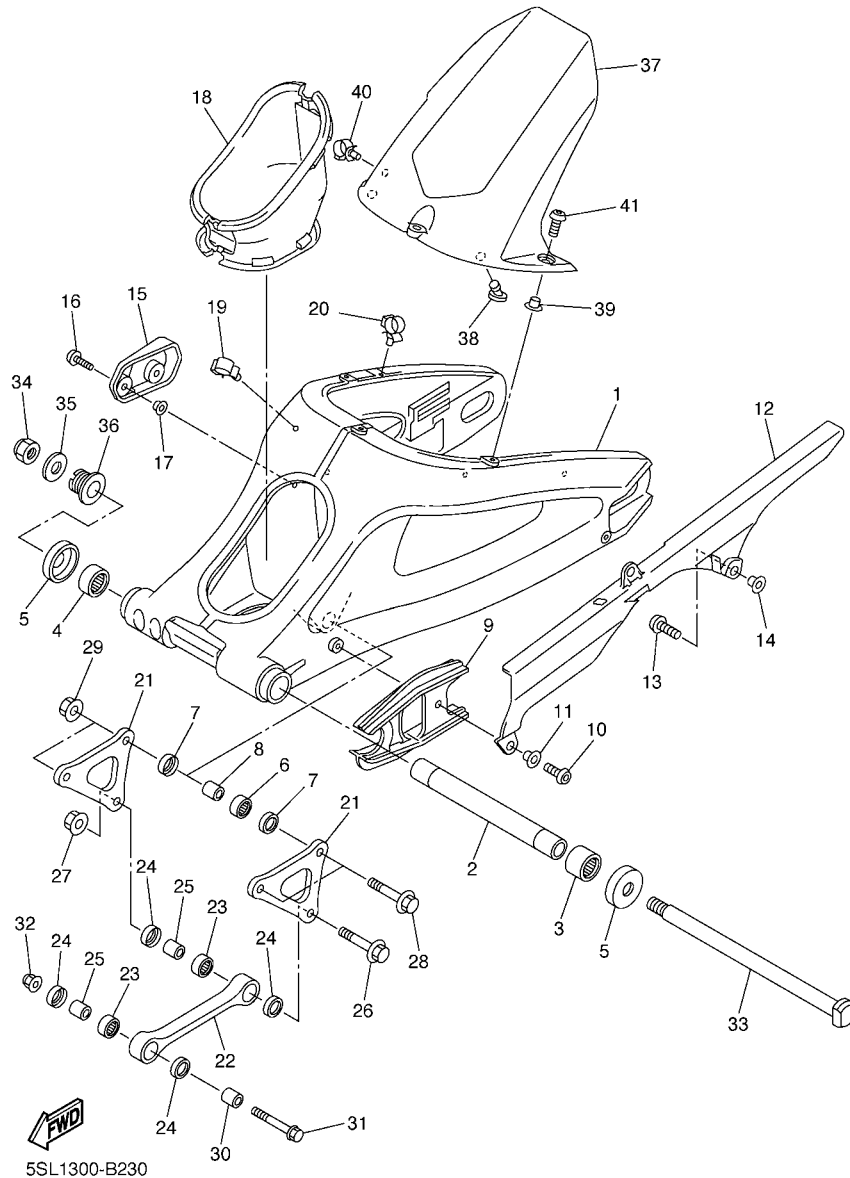


5SL1300-B220

FIG. 22 SIDE COVER

REF. NO.	PART NO.	DESCRIPTION	5SL1				REMARKS
20	90119-06059	BOLT, WITH WASHER	2				

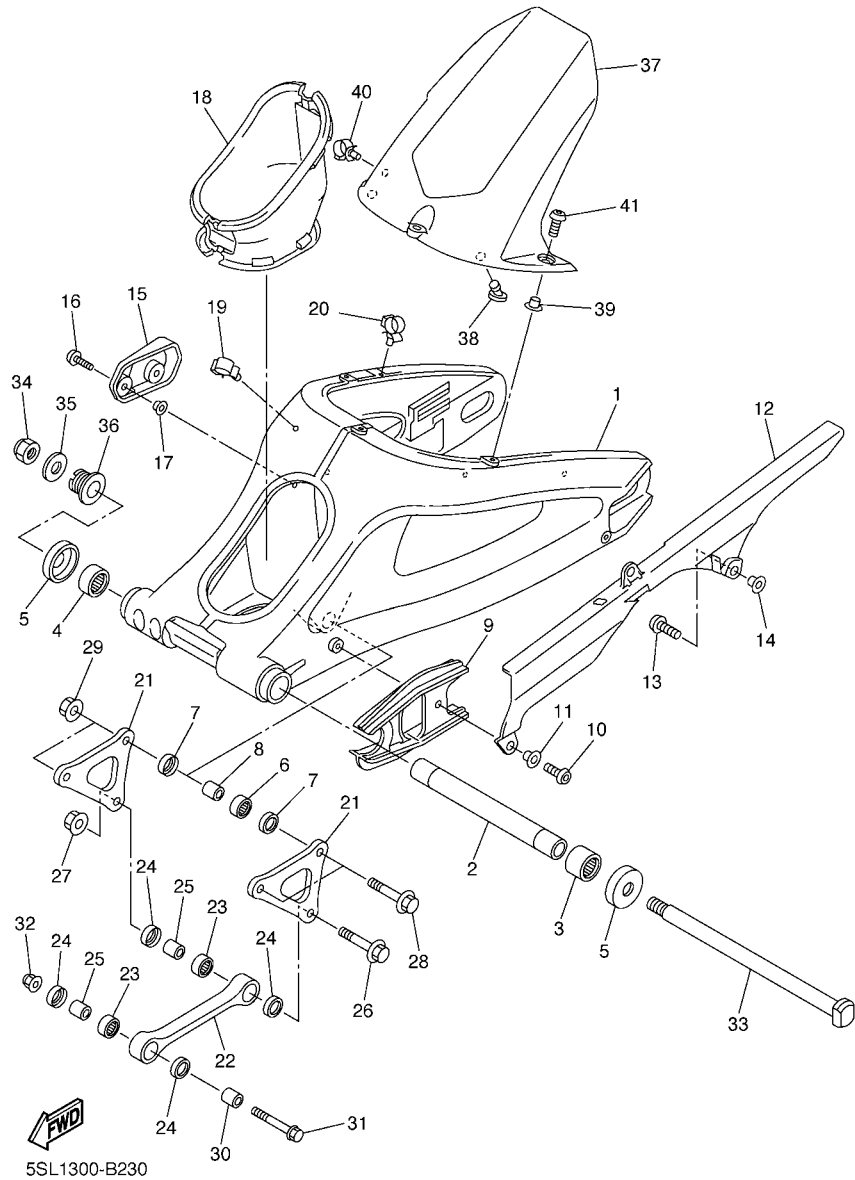




5SL1300-B230

FIG. 23 REAR ARM

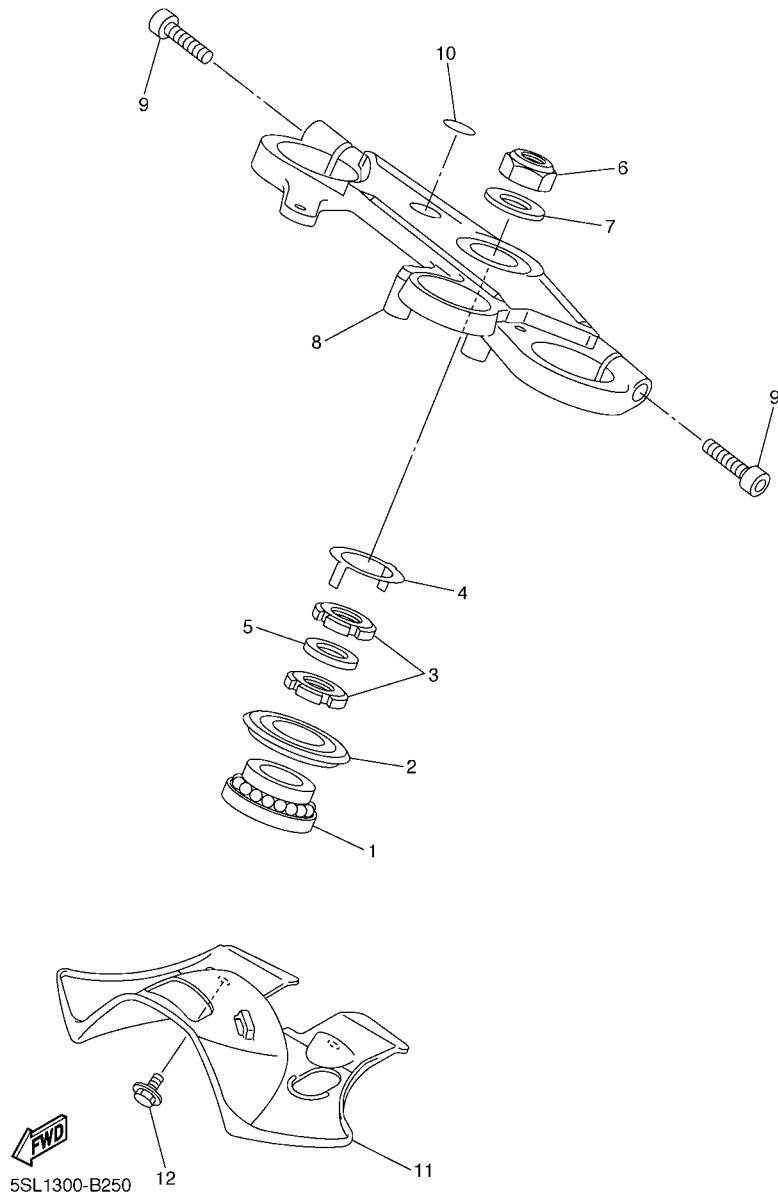
REF. NO.	PART NO.	DESCRIPTION	SSL1				REMARKS
1	5SL-22110-00	REAR ARM COMP.	1				
2	5EB-22184-00	BUSH	1				
3	93317-42550	BEARING	1				
4	93315-42536	BEARING	1				
5	5JJ-22128-00	COVER, THRUST 1	2				
6	93315-41762	BEARING	1				
7	93109-17071	OIL SEAL	2				
8	90387-1012A	COLLAR	1				
9	5SL-22151-00	SEAL, GUARD	1				
10	92017-06016	BOLT, BUTTON HEAD	1				
11	90387-062X0	COLLAR	1				
12	5SL-22311-00	CASE, CHAIN	1				
13	90110-06102	BOLT, HEXAGON SOCKET HEAD	2				
14	90387-06009	COLLAR	2				
15	5SL-22381-00	COVER 1	1				
16	90111-06038	BOLT	2				
17	90387-06681	COLLAR	2				
18	5SL-2219X-00	COVER	1				
19	90464-16012	CLAMP	1				
20	90464-16011	CLAMP	1				
21	5SL-2217A-00	ARM, RELAY	2				
22	5SL-2217M-00	ARM 1	1				
23	93315-31758	BEARING	2				
24	93109-17071	OIL SEAL	4				
25	90387-1012A	COLLAR	2				
26	90105-10017	BOLT, FLANGE	1				
27	95607-10200	NUT, SELF-LOCKING	1				



**FIG. 23 REAR ARM**

REF. NO.	PART NO.	DESCRIPTION	5SL1				REMARKS
28	90105-10017	BOLT, FLANGE	2				
29	95607-10200	NUT, SELF-LOCKING	2				
30	90387-1013U	COLLAR	1				
31	90105-10018	BOLT, FLANGE	1				
32	95607-10200	NUT, SELF-LOCKING	1				
33	4FN-22141-00	SHAFT, PIVOT	1				
34	90185-18104	NUT, SELF-LOCKING	1				
35	90201-186M4	WASHER, PLATE	1				
36	5PW-22125-00	BOLT	1				
37	5SL-21650-00	REAR FENDER COMP.	1				
38	5SL-21639-00	DAMPER 2	2				
39	90387-07717	COLLAR	3				
40	90464-16012	CLAMP	1				
41	90111-06038	BOLT	3				





**FIG. 25 STEERING**

REF. NO.	PART NO.	DESCRIPTION	SSL1				REMARKS
1	93399-99955	BEARING	1				
2	4XV-23415-01	COVER, BALL RACE 1	1				
3	90179-30691	NUT	2				
4	4XV-23418-00	WASHER, SPECIAL	1				
5	90202-30235	WASHER, PLATE	1				
6	90170-28419	NUT	1				
7	90201-281U8	WASHER, PLATE	1				
8	5SL-23435-00	CROWN, HANDLE	1				
9	91314-08030	BOLT	2				
10	4XV-2341B-00	EMBLEM	1				
11	5EB-23818-00	COVER, STEERING	1				
12	90119-06117	BOLT, WITH WASHER	2				
-----							
-----							
-----							
-----							
-----							

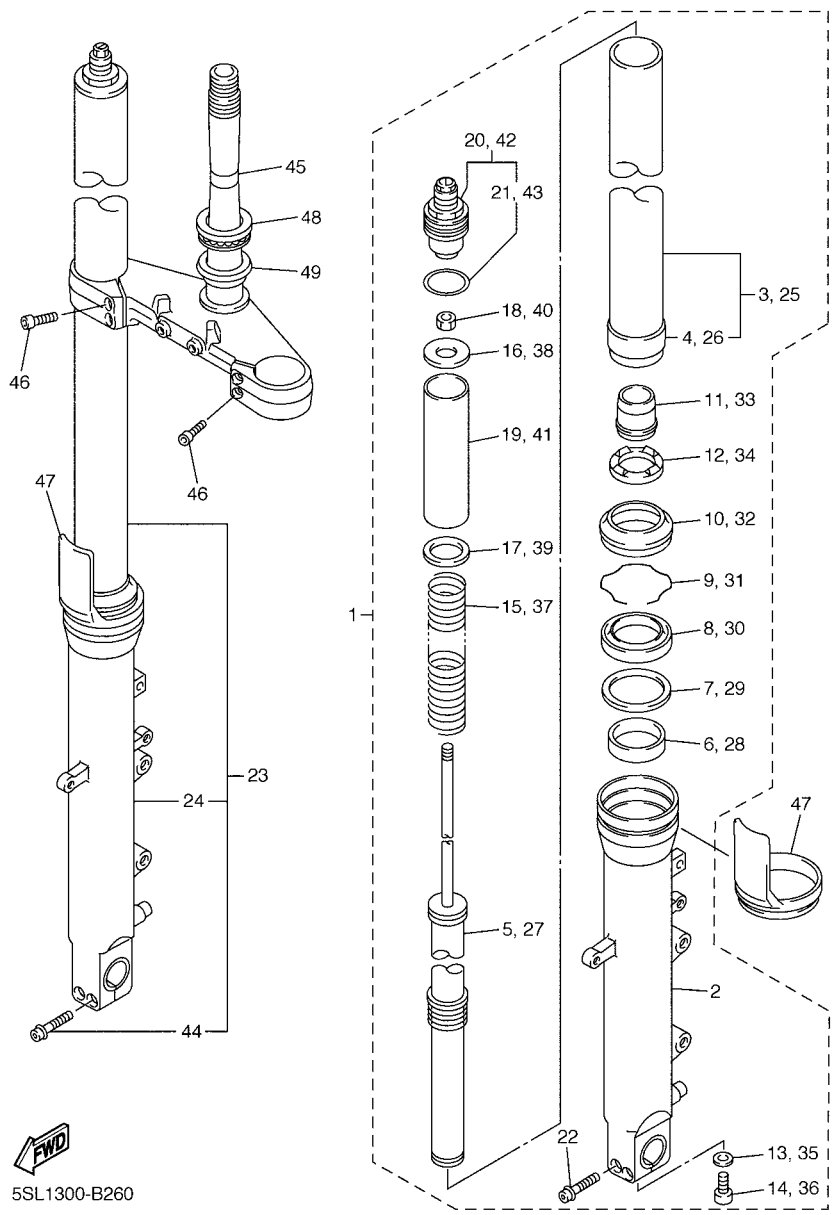


FIG. 26 FRONT FORK

REF. NO.	PART NO.	DESCRIPTION	SSL1				REMARKS
1	5SL-23102-00	FRONT FORK ASSY (L.H)	1				
2	5SL-23126-00	.TUBE, OUTER (LEFT)	1				
3	5SL-23110-00	.INNER TUBE COMP.1	1				
4	5EB-23171-00	..PISTON, FRONT FORK	1				
5	5SL-23170-00	.CYLINDER COMP., FRONT FORK	1				
6	5EB-23125-00	.METAL, SLIDE 1	1				
7	4V4-23146-L0	.WASHER, OIL SEAL	1				
8	4PU-23145-01	.OIL SEAL	1				
9	4V4-23153-L0	.RING, SNAP	1				
10	4PU-23144-00	.SEAL, DUST	1				
11	5MT-23173-00	.SPINDLE, TAPER	1				
12	5MT-23195-00	.RUBBER	1				
13	2K8-23158-L0	.GASKET	1				
14	3LC-23181-00	.BOLT, HEXAGON SOCKET HEAD	1				
15	5SL-23141-00	.SPRING, FRONT FORK	1				
16	3TJ-23149-10	.WASHER, SPRING UPPER	1				
17	3LR-23149-00	.WASHER, SPRING UPPER	1				
18	3LC-23357-00	.NUT	1				
19	5SL-23118-00	.SPACER	1				
20	5MT-23111-00	.BOLT, CAP	1				
21	4V4-23188-L0	..O-RING	1				
22	91314-08040	.BOLT	2				
23	5SL-23103-00	FRONT FORK ASSY (R.H)	1				
24	5SL-23136-00	.TUBE, OUTER (RIGHT)	1				
25	5SL-23110-00	.INNER TUBE COMP.1	1				
26	5EB-23171-00	..PISTON, FRONT FORK	1				
27	5SL-23170-00	.CYLINDER COMP., FRONT FORK	1				

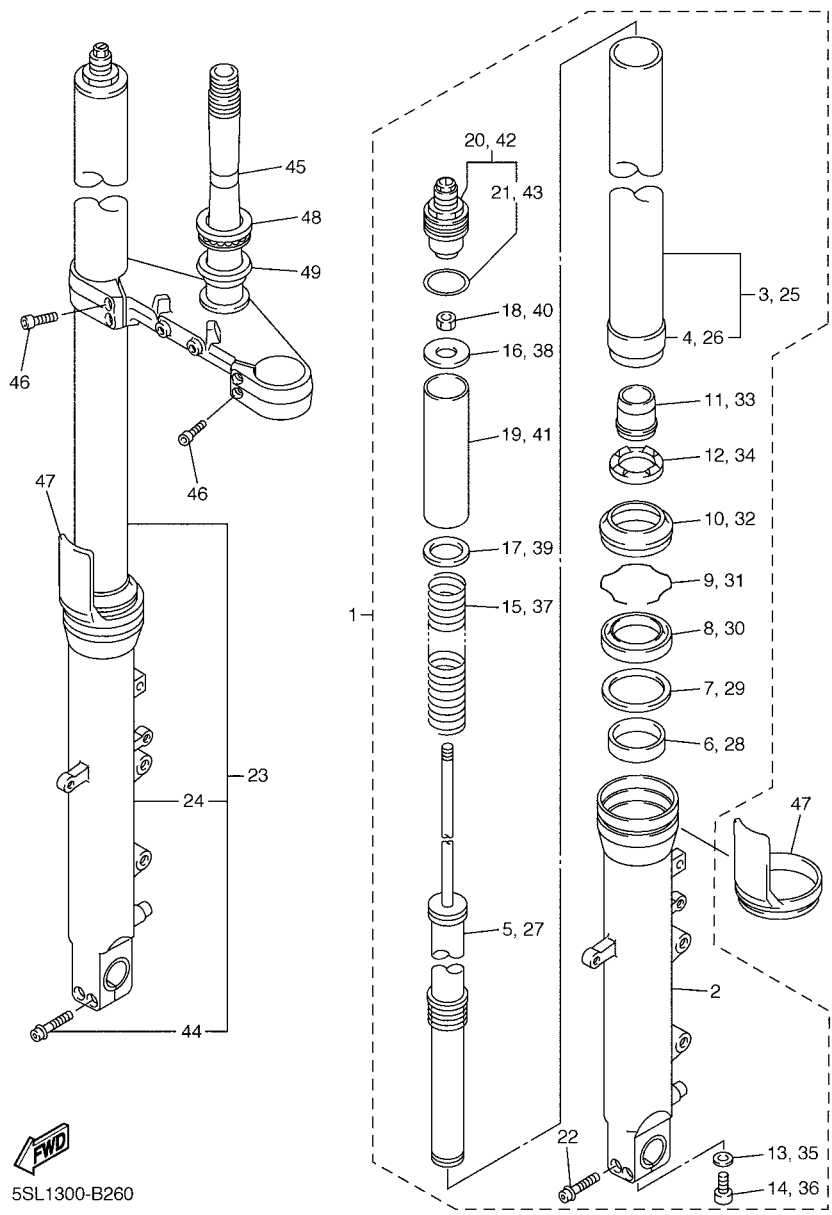
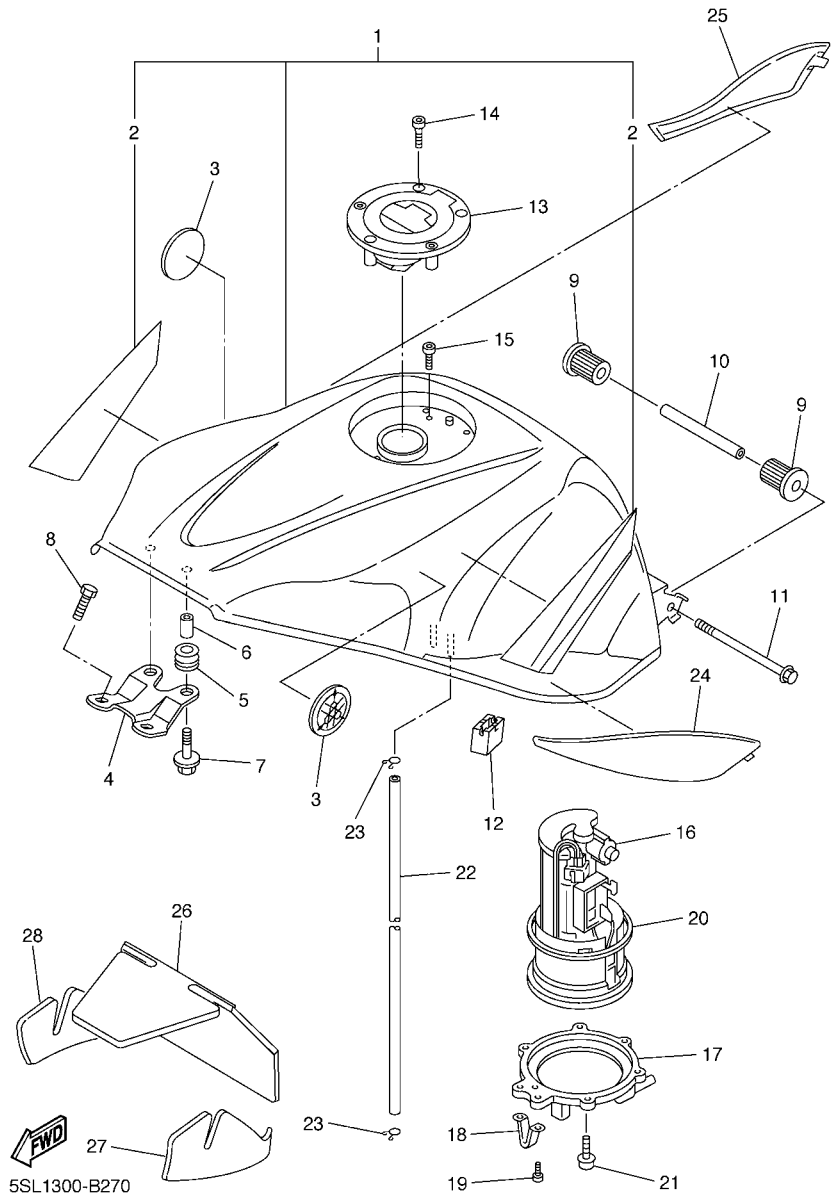


FIG. 26 FRONT FORK

REF. NO.	PART NO.	DESCRIPTION	SSL1				REMARKS
28	5EB-23125-00	.METAL, SLIDE 1	1				
29	4V4-23146-L0	.WASHER, OIL SEAL	1				
30	4PU-23145-01	.OIL SEAL	1				
31	4V4-23153-L0	.RING, SNAP	1				
32	4PU-23144-00	.SEAL, DUST	1				
33	5MT-23173-00	.SPINDLE, TAPER	1				
34	5MT-23195-00	.RUBBER	1				
35	2K8-23158-L0	.GASKET	1				
36	3LC-23181-00	.BOLT, HEXAGON SOCKET HEAD	1				
37	5SL-23141-00	.SPRING, FRONT FORK	1				
38	3TJ-23149-10	.WASHER, SPRING UPPER	1				
39	3LR-23149-00	.WASHER, SPRING UPPER	1				
40	3LC-23357-00	.NUT	1				
41	5SL-23118-00	.SPACER	1				
42	5MT-23111-00	.BOLT, CAP	1				
43	4V4-23188-L0	.O-RING	1				
44	91314-08040	.BOLT	2				
45	5SL-23340-00	UNDER BRACKET COMP.	1				
46	91314-08025	BOLT	4				
47	4PU-2331G-00	COVER	2				
48	93399-99932	BEARING	1				
49	3FV-23462-00	SEAL, STEERING	1				

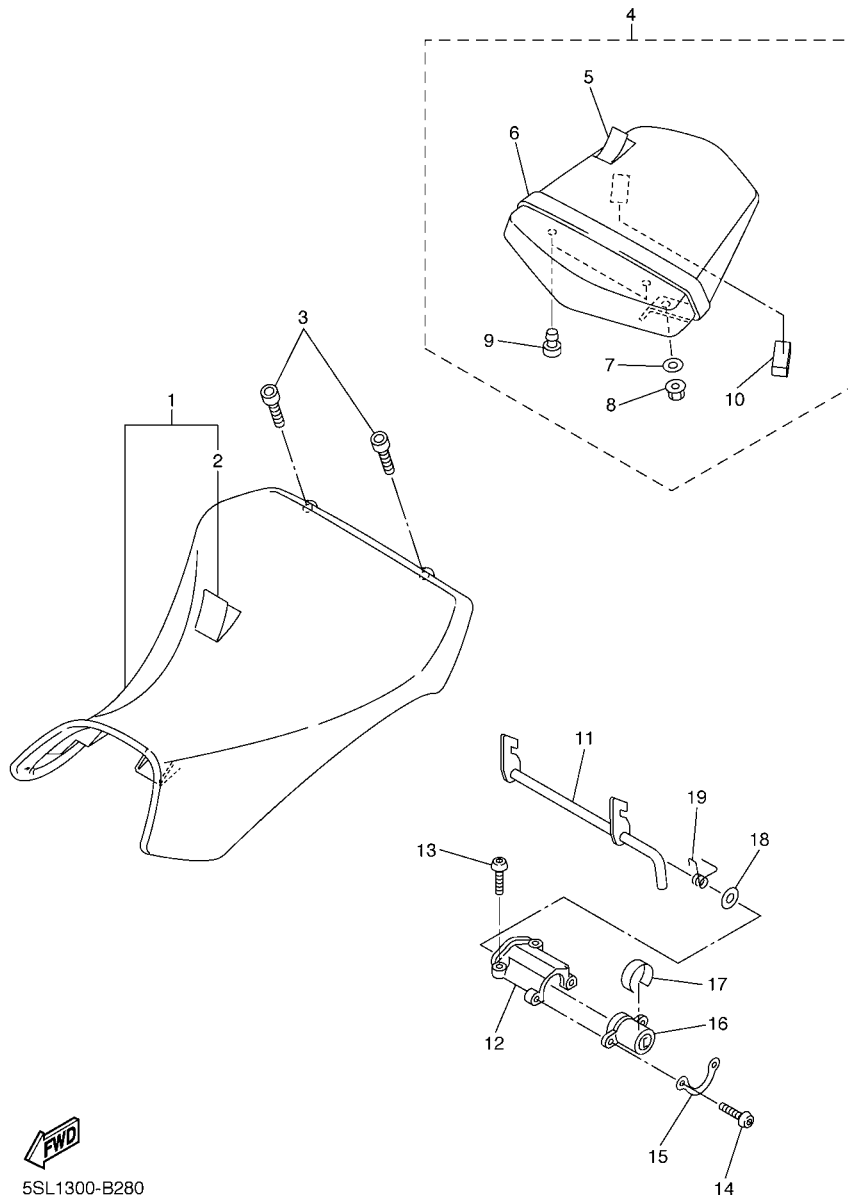
**FIG. 27 FUEL TANK**



REF. NO.	PART NO.	DESCRIPTION	SSL1				REMARKS
1	5SL-Y2410-30-01	FUEL TANK COMP.	1				UR VRC1
	5SL-Y2410-30-02	FUEL TANK COMP.	1				UR DPBMC
	5SL-Y2410-M0-01	FUEL TANK COMP.	1				UR S3
	5SL-Y2410-30-03	FUEL TANK COMP.	1				UR RYC1
2	5SL-24240-00	.GRAPHIC SET	1				UR FOR VRC1
	5SL-24240-10	.GRAPHIC SET	1				UR FOR DPBMC
	5SL-24240-20	.GRAPHIC SET	1				UR FOR S3
	5SL-24240-30	.GRAPHIC SET	1				UR FOR RYC1
3	5SL-2413B-00	EMBLEM	2				
4	5SL-24191-00	BRACKET, FUEL TANK 1	1				
5	90480-15483	GROMMET	2				
6	90387-06054	COLLAR	2				
7	90119-06062	BOLT, WITH WASHER	2				
8	90110-06079	BOLT, HEXAGON SOCKET HEAD	2				
9	5SL-24183-00	DAMPER, LOCATING 3	2				
10	90387-06055	COLLAR	1				
11	95827-06090	BOLT, FLANGE	1				
12	5SL-24182-00	DAMPER, LOCATING 2	2				
13	5JJ-24602-00	CAP ASSY	1				
14	90110-05112	BOLT, HEXAGON SOCKET HEAD	3				
15	91317-05010	BOLT	1				
16	5PW-13907-00	FUEL PUMP COMP.	1				
17	5SL-24491-00	BRACKET, FUEL PUMP	1				
18	5PW-24192-00	BRACKET, FUEL TANK 2	1				
19	98907-05008	SCREW, BIND	2				
20	5JW-24486-00	O-RING	1				
21	90110-05014	BOLT, HEXAGON SOCKET HEAD	6				



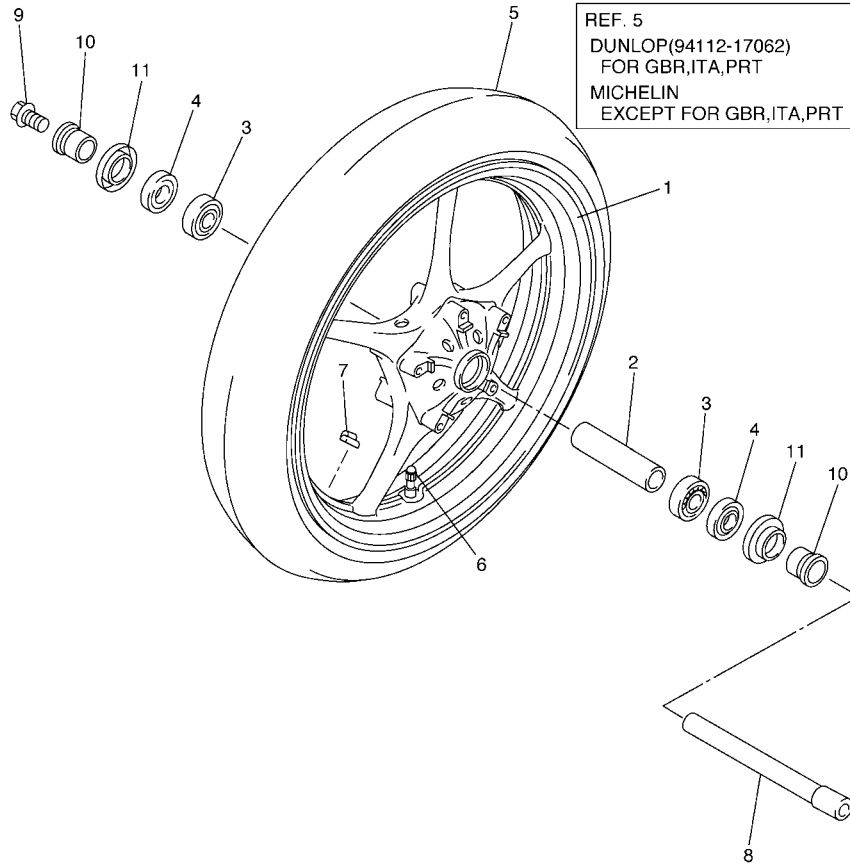




5SL1300-B280

FIG. 28 SEAT

REF. NO.	PART NO.	DESCRIPTION	5SL1				REMARKS
1	5SL-24710-00	SINGLE SEAT ASSY	1				
2	5SL-2470F-00	.SEAT COVER COMP.	1				
3	90110-06258	BOLT, HEXAGON SOCKET HEAD	2				
4	5SL-24750-00	TANDEM SEAT ASSY	1				
5	5SL-24751-00	.COVER, TANDEM SEAT	1				
6	5SL-24720-00	.SEAT BAND ASSY	1				
7	90201-06008	.WASHER, PLATE	2				
8	95607-06200	.NUT, SELF U-FLANGE	2				
9	5SL-24723-00	.DAMPER, SEAT	2				
10	5SL-24724-00	.DAMPER, SEAT	1				
11	5SL-24780-00	SEAT LOCK ASSY	1				
12	5SL-24792-00	PLATE	1				
13	92017-06025	BOLT, BUTTON HEAD	2				
14	92017-06014	BOLT, BUTTON HEAD	2				
15	5SL-2479R-00	PLATE, COVER	1				
16	5SL-W2470-00	SEAT LOCK ASSY	1				
17	5SL-24858-00	SEAL	1				
18	90202-08001	WASHER, PLATE	2				
19	5SL-24758-00	SPRING	1				



REF. 5  
 DUNLOP(94112-17062)  
 FOR GBR,ITA,PRT  
 MICHELIN  
 EXCEPT FOR GBR,ITA,PRT

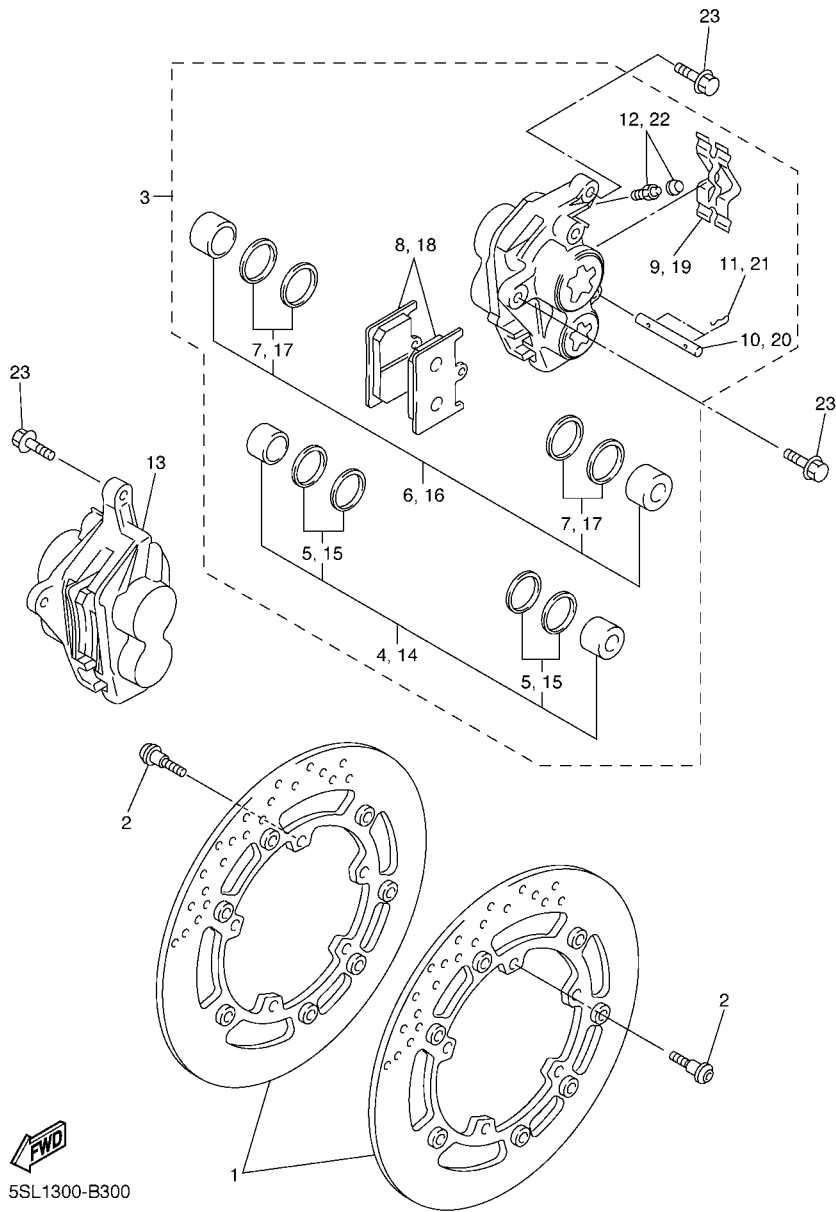
FIG. 29 FRONT WHEEL

REF. NO.	PART NO.	DESCRIPTION	SSL1				REMARKS
1	5SL-25168-00-98	CAST WHEEL, FRONT	1				LGB
2	4XV-25117-00	SPACER, BEARING	1				
3	93306-00420	BEARING (B6004)	2				
4	93106-28043	OIL SEAL	2				
5	94112-17062	TIRE(120/60ZR17 M/C 55W D208F)	1				UR DUNLOP
		TIRE(120/60ZR17M/C PILOTSPORT)	1				UR LM MICHELIN
6	93900-00030	VALVE, RIM (TR412)	1				TAIHEIYO
7	5MT-25398-00	BALANCER, WHEEL (10G)	1				UR
	5MT-25398-10	BALANCER, WHEEL (20G)	1				UR
	5MT-25398-20	BALANCER, WHEEL (30G)	1				UR
8	5SL-25181-00	AXLE, WHEEL	1				
9	90105-14002	BOLT, FLANGE	1				
10	4XV-25186-00	COLLAR, WHEEL	2				
11	4XV-25118-00	COVER, HUB DUST	2				



5SL1300-B290

**FIG. 30 FRONT BRAKE CALIPER**



REF. NO.	PART NO.	DESCRIPTION	5SL1				REMARKS
1	5SL-2581T-00	DISK BRAKE ASSY	2				
2	90109-064G6	BOLT	10				
3	5SL-2580T-00	CALIPER ASSY (LEFT)	1				
4	4SV-W0057-00	.PISTON ASSY, CALIPER	1				
5	3MA-W0047-10	..CALIPER SEAL KIT	1				
6	4SV-W0057-10	.PISTON ASSY, CALIPER	1				
7	3GM-W0047-10	..CALIPER SEAL KIT	1				
8	5SL-W0045-00	.BRAKE PAD KIT	1				
9	4SV-25919-00	.SUPPORT, PAD	1				
10	4SV-25924-00	.PIN, PAD	1				
11	3GM-25925-00	.CLIP	2				
12	1J3-W0048-00	.BLEED SCREW KIT	1				
13	5SL-2580U-00	CALIPER ASSY (RIGHT)	1				
14	4SV-W0057-00	.PISTON ASSY, CALIPER	1				
15	3MA-W0047-10	..CALIPER SEAL KIT	1				
16	4SV-W0057-10	.PISTON ASSY, CALIPER	1				
17	3GM-W0047-10	..CALIPER SEAL KIT	1				
18	5SL-W0045-00	.BRAKE PAD KIT	1				
19	4SV-25919-00	.SUPPORT, PAD	1				
20	4SV-25924-00	.PIN, PAD	1				
21	3GM-25925-00	.CLIP	2				
22	1J3-W0048-00	.BLEED SCREW KIT	1				
23	90105-105A7	BOLT, FLANGE	4				

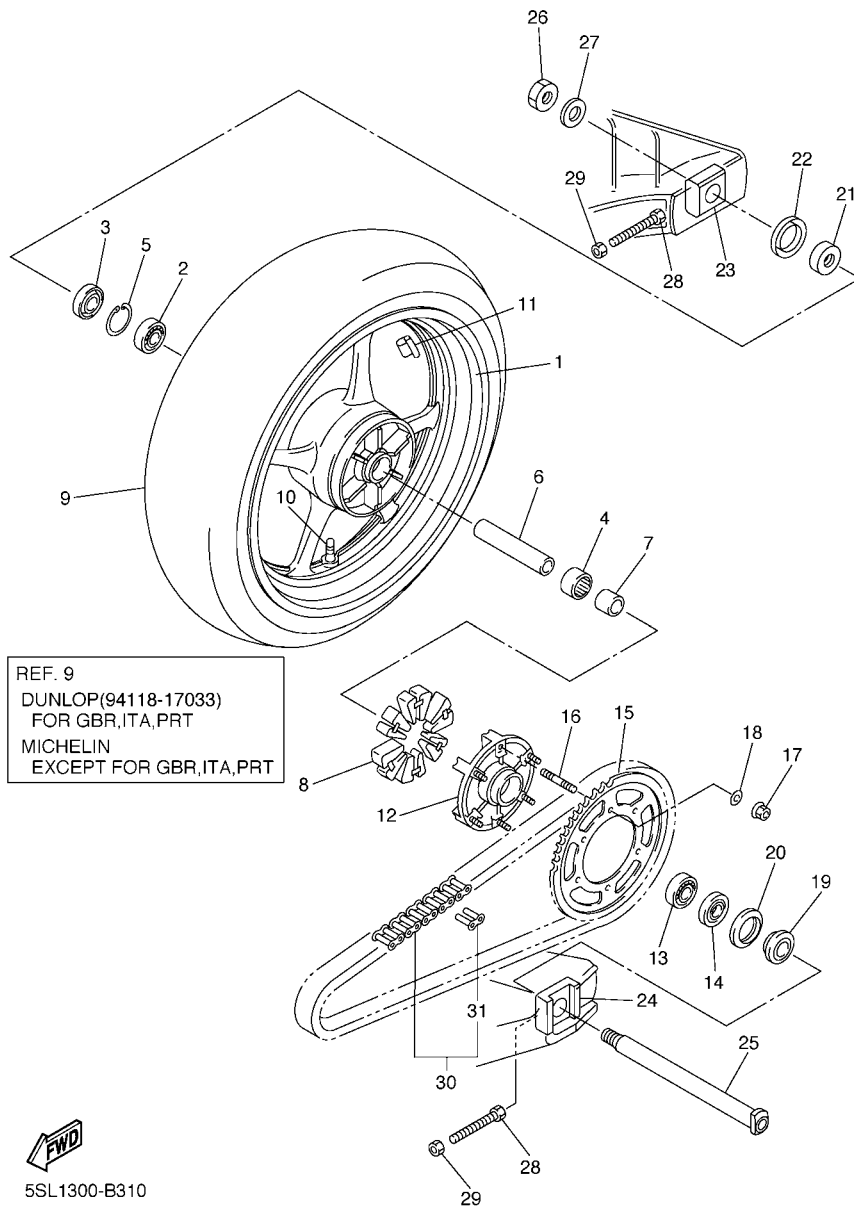


FIG. 31 REAR WHEEL

REF. NO.	PART NO.	DESCRIPTION	5SL1				REMARKS
1	5SL-25338-00-98	CAST WHEEL, REAR	1				LGB
2	93306-20531	BEARING	1				
3	93106-40013	OIL SEAL	1				
4	93317-43580	BEARING	1				
5	93420-61M07	CIRCLIP	1				
6	4XV-25317-00	SPACER, BEARING	1				
7	5SL-25383-00	COLLAR, WHEEL	1				
8	5SL-25364-00	DAMPER	6				
9	94118-17033	TIRE (180/55ZR17 M/C 73W D208)	1				UR DUNLOP
	*	TIRE(180/55ZR17M/C PILOTSPORT)	1				UR LM MICHELIN
10	93900-00030	VALVE, RIM (TR412)	1				TAIHEIYO
11	5MT-25398-00	BALANCER, WHEEL (10G)	1				UR
	5MT-25398-10	BALANCER, WHEEL (20G)	1				UR
	5MT-25398-20	BALANCER, WHEEL (30G)	1				UR
12	5SL-25366-00	CLUTCH, HUB	1				
13	93306-20531	BEARING	1				
14	93106-40013	OIL SEAL	1				
15	5SL-25448-20	SPROCKET, DRIVEN (48T)	1				
16	90116-10485	BOLT, STUD	6				
17	90185-10009	NUT, SELF-LOCKING	6				
18	90201-10021	WASHER, PLATE	6				
19	5SL-25376-00	COLLAR, WHEEL	1				
20	5SL-25367-00	COVER, HUB DUST	1				
21	4XV-25376-00	COLLAR, WHEEL	1				
22	5SL-25327-00	COVER, PLATE	1				
23	5SL-25388-00	PULLER, CHAIN 1	1				
24	5SL-25389-00	PULLER, CHAIN 2	1				

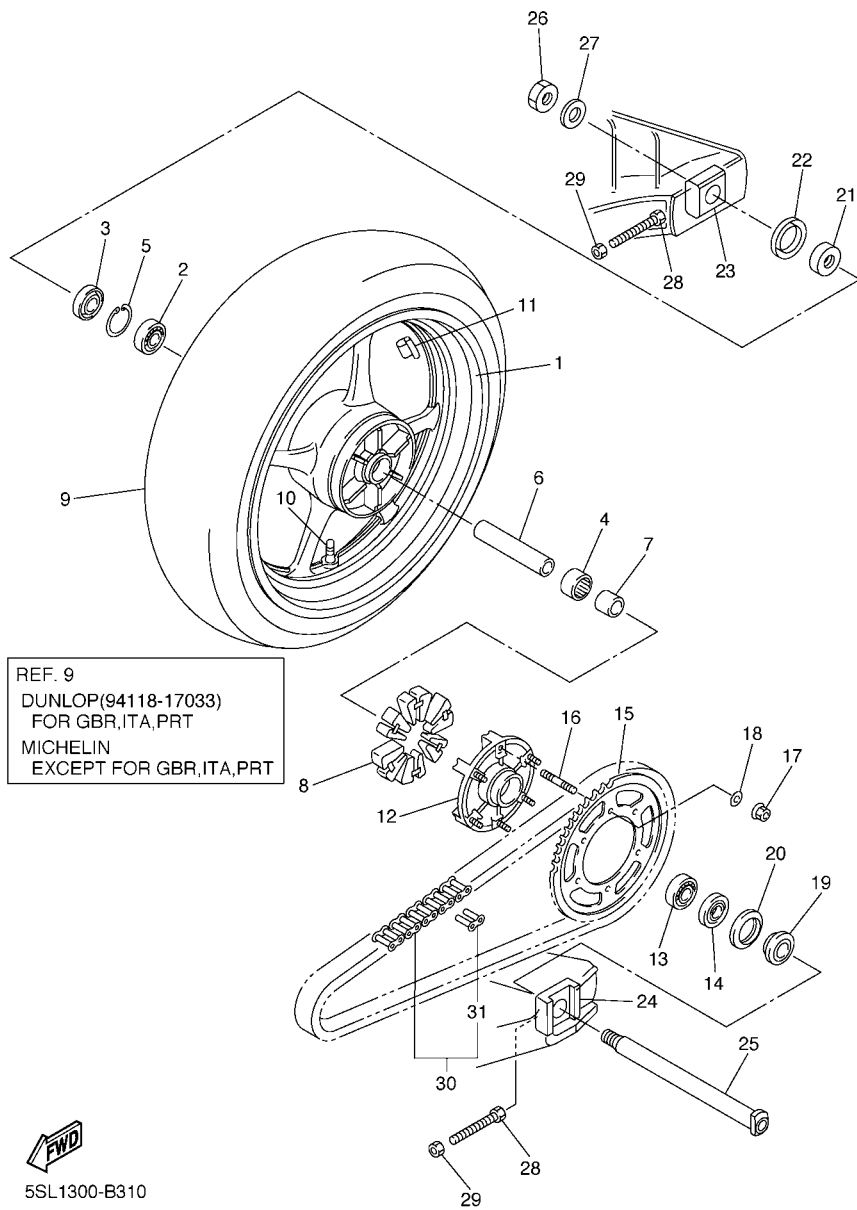
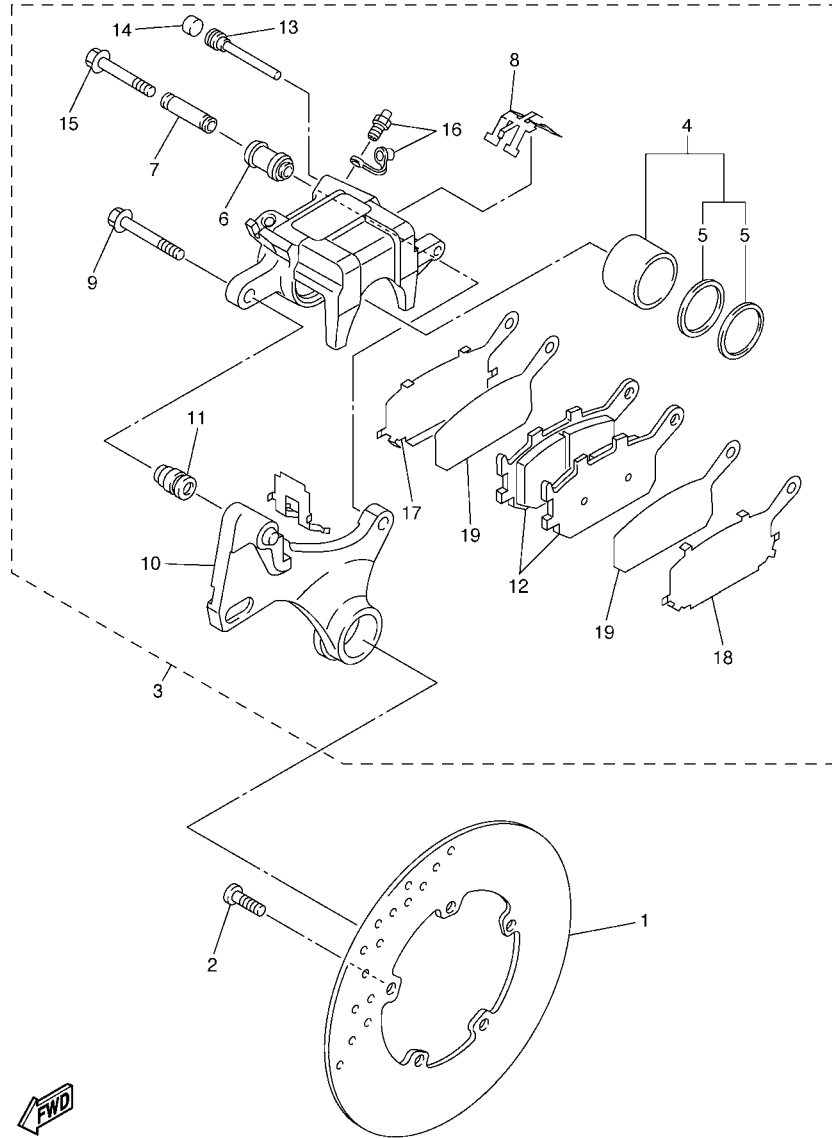


FIG. 31 REAR WHEEL

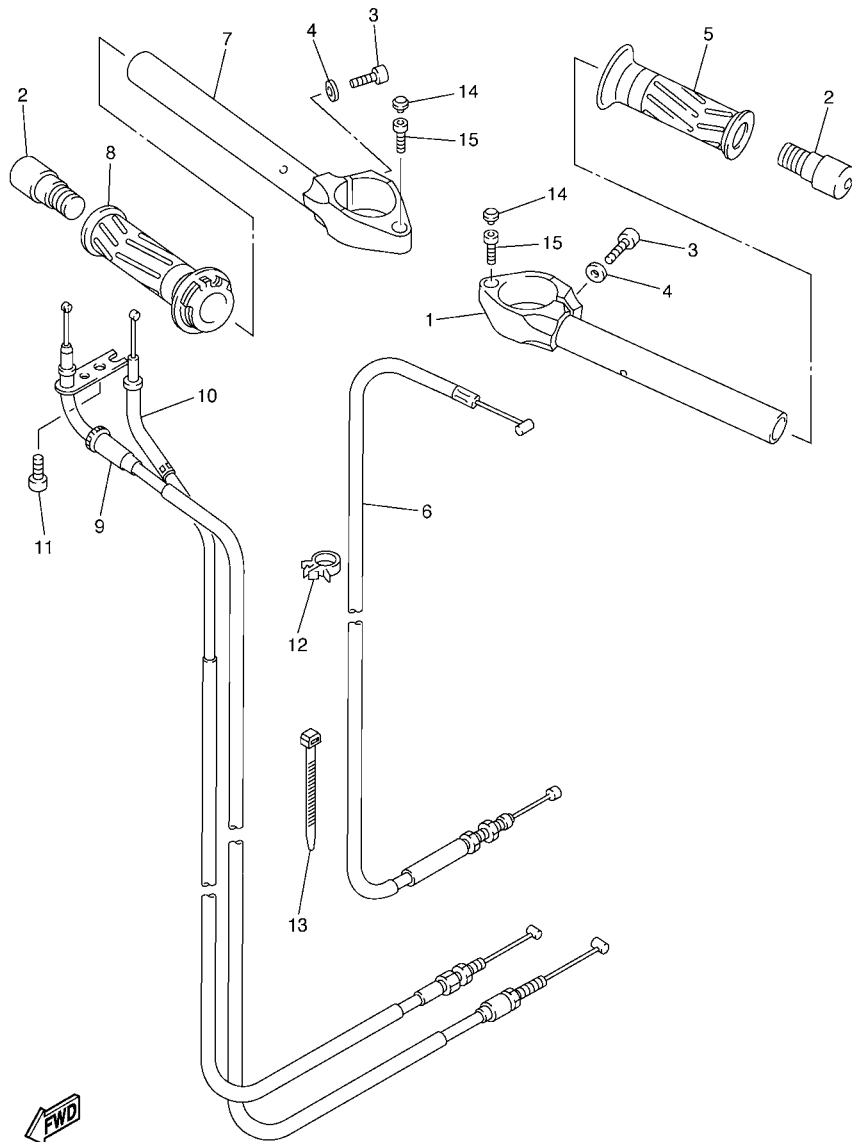
REF. NO.	PART NO.	DESCRIPTION	5SL1				REMARKS
25	5SL-25381-00	AXLE, WHEEL	1				
26	90185-24165	NUT, SELF-LOCKING	1				
27	90201-257R5	WASHER, PLATE	1				
28	90101-08766	BOLT	2				
29	95307-08600	NUT	2				
30	9Y581-55115	CHAIN (DID532ZLVKA1-L116)	1				
31	94681-55031	.JOINT, CHAIN	1				



5SL1300-B320

**FIG. 32 REAR BRAKE CALIPER**

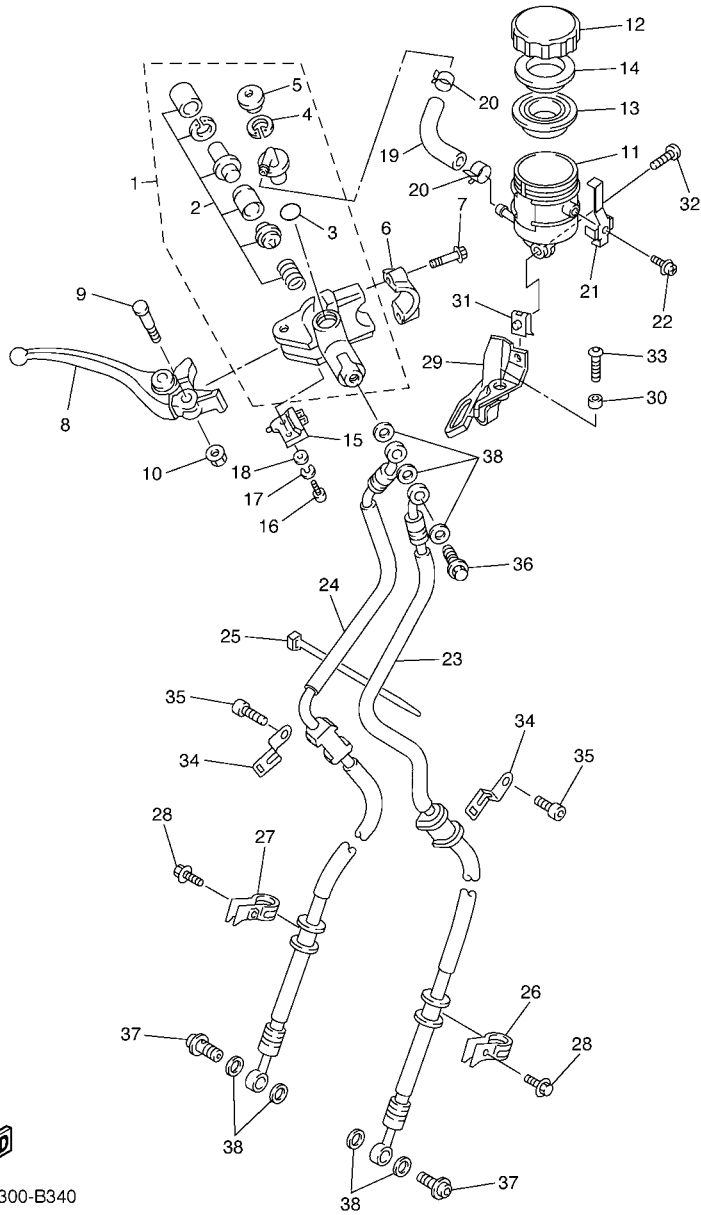
REF. NO.	PART NO.	DESCRIPTION	5SL1				REMARKS
1	5SL-2582W-00	DISK, REAR BRAKE 2	1				
2	90109-08045	BOLT	5				
3	5SL-2580W-00	CALIPER ASSY, REAR 2	1				
4	5SL-W0057-00	.PISTON ASSY, CALIPER	1				
5	5SL-W0047-00	..CALIPER SEAL KIT	1				
6	5SL-25917-00	.BOOT, CALIPER	1				
7	5SL-25838-00	.SLEEVE, CALIPER	1				
8	5SL-25919-00	.SUPPORT, PAD	1				
9	5SL-25914-00	.PIN, SLIDE	1				
10	5SL-25921-00	.BRACKET, SUPPORT	1				
11	3JD-25917-00	.BOOT, CALIPER	1				
12	5SL-W0046-00	.BRAKE PAD KIT 2	1				
13	8CR-25924-00	.PIN, PAD	1				
14	5DH-25916-00	.PLUG	1				
15	5SL-25926-00	.BOLT	1				
16	1UY-W0048-00	.BLEED SCREW KIT	1				
17	5SL-25827-00	.SHIM, CALIPER	1				
18	5SL-25827-10	.SHIM, CALIPER	1				
19	5SL-25828-00	.SHIM, CALIPER	2				



5SL1300-B330

FIG. 33 STEERING HANDLE & CABLE

REF. NO.	PART NO.	DESCRIPTION	5SL1				REMARKS
1	5SL-26121-00	HANDLEBAR (LEFT)	1				
2	5EB-26246-00	END, GRIP	2				
3	91314-08030	BOLT	2				
4	90201-086J0	WASHER, PLATE	2				
5	4YR-26241-01	GRIP (LEFT)	1				
6	5SL-26335-00	CABLE, CLUTCH	1				
7	5SL-26122-00	HANDLEBAR (RIGHT)	1				
8	5SL-26240-00	GRIP ASSY	1				
9	5SL-26311-00	CABLE, THROTTLE 1	1				
10	5SL-26312-00	CABLE, THROTTLE 2	1				
11	91317-05014	BOLT	1				
12	90464-15157	CLAMP	2				
13	90464-15195	CLAMP	1				
14	2H9-23469-00	CAP, BOLT	2				
15	91317-06020	BOLT	2				

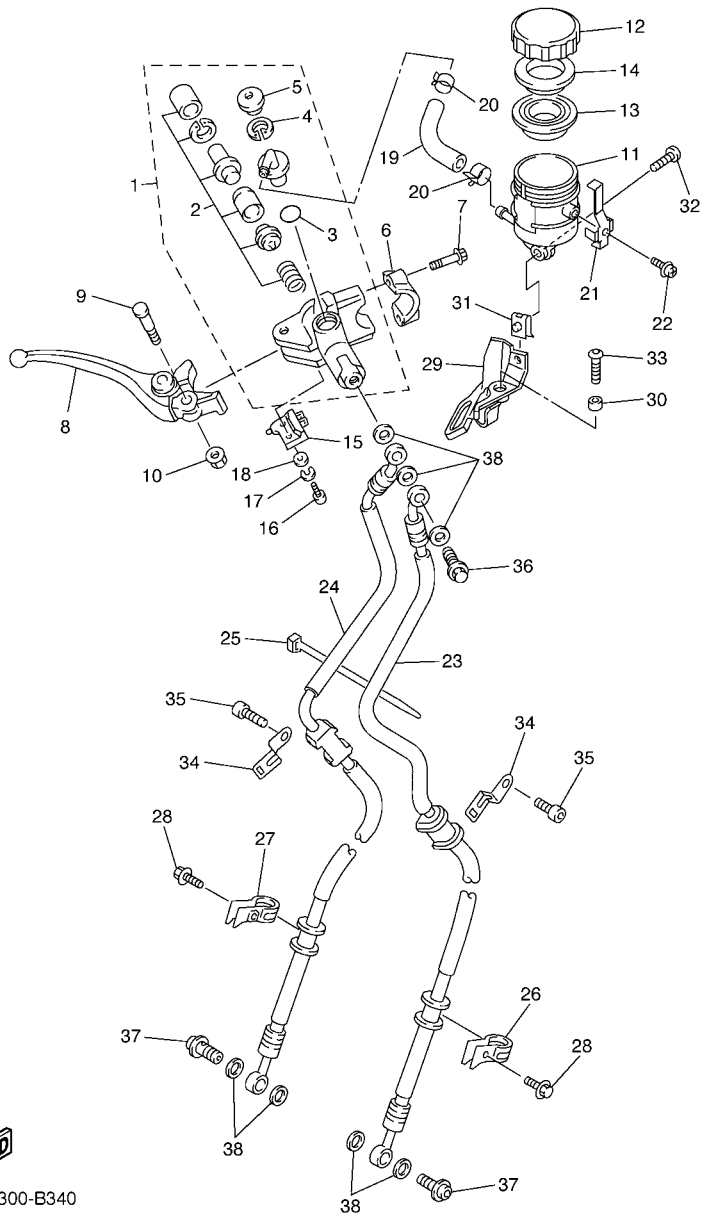


**FWD**  
5SL1300-B340

**FIG. 34 FRONT MASTER CYLINDER**

REF. NO.	PART NO.	DESCRIPTION	5SL1				REMARKS
1	5EB-W2587-01	MASTER CYLINDER SUB ASSY	1				
2	5MT-W0041-00	.CYLINDER KIT, MASTER	1				
3	93210-15620	.O-RING	1				
4	2VN-25866-00	.CIRCLIP	1				
5	3FV-2589A-00	.COVER, DUST	1				
6	56A-25867-00	BRACKET, MASTER CYLINDER	1				
7	5EB-26332-00	BOLT	2				
8	5SL-83922-00	LEVER 2	1				
9	3FV-2589F-00	BOLT, LEVER	1				
10	95606-06100	NUT, U	1				
11	5SL-25894-10	TANK, RESERVOIR	1				
12	3GM-25852-50	CAP, RESERVOIR	1				
13	3FV-25854-00	DIAPHRAGM, RESERVOIR	1				
14	2J2-25855-50	BUSH,DIAPHRAGM	1				
15	4HM-83980-00	FRONT STOP SWITCH ASSY	1				
16	98502-04012	SCREW, PAN HEAD	1				
17	92902-04100	WASHER, SPRING	1				
18	92902-04600	WASHER, PLATE	1				
19	5PW-2582F-00	HOSE	1				
20	3PA-24356-00	CLIP, PIPE 1	2				
21	3FV-2589G-00	HOLDER	1				
22	3GM-2589H-00	SCREW	1				
23	5SL-25872-00	HOSE, BRAKE 1	1				
24	5SL-25873-00	HOSE, BRAKE 2	1				
25	3MA-82591-00	BAND	1				
26	5SL-25886-00	HOLDER, BRAKE HOSE	1				
27	5SL-25887-00	HOLDER, BRAKE HOSE	1				

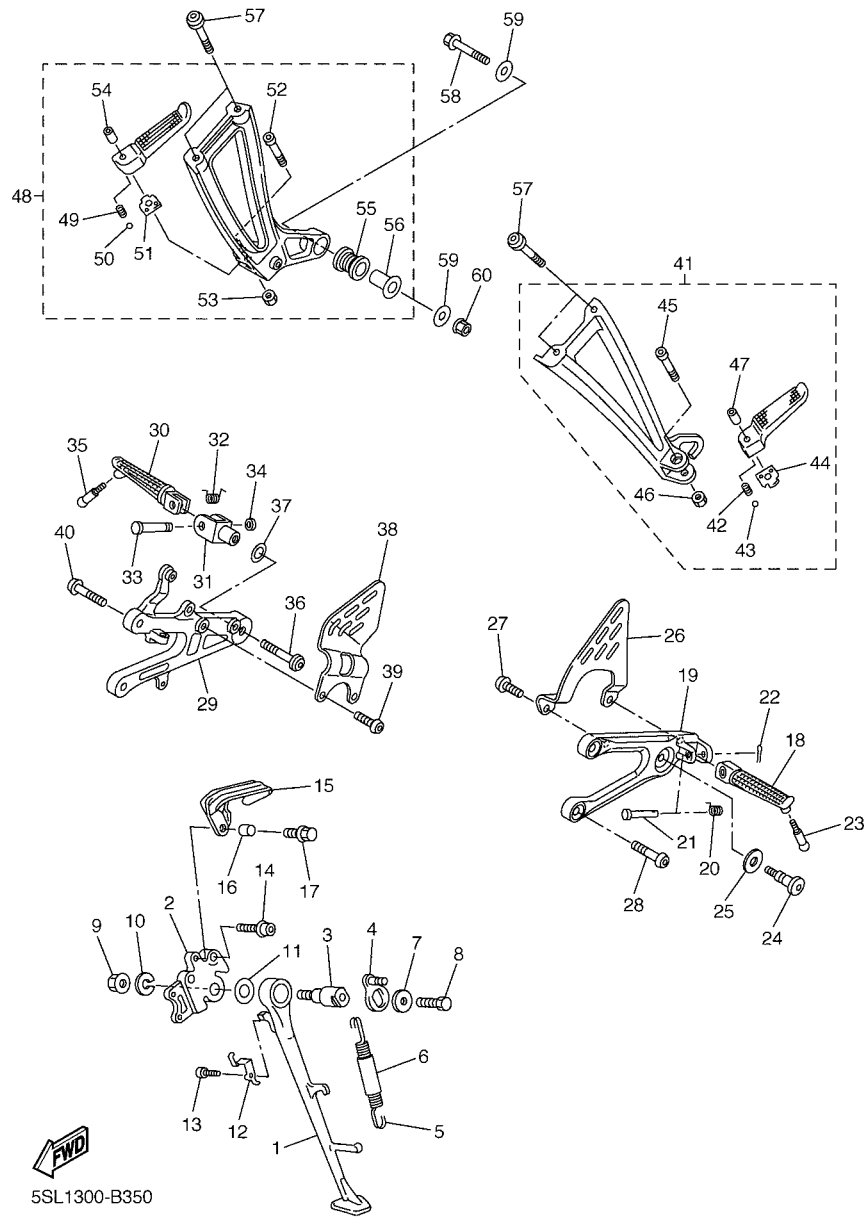




5SL1300-B340

FIG. 34 FRONT MASTER CYLINDER

REF. NO.	PART NO.	DESCRIPTION	5SL1				REMARKS
28	90105-06041	BOLT, FLANGE	2				
29	5SL-26292-00	STAY	1				
30	90387-06057	COLLAR	1				
31	90183-050A0	NUT, SPRING	1				
32	90149-05244	SCREW	1				
33	90111-06041	BOLT	1				
34	5SL-25876-00	HOLDER, BRAKE HOSE 2	2				
35	91317-06012	BOLT	2				
36	90401-10160	BOLT, UNION	1				
37	90401-10172	BOLT, UNION	2				
38	90201-10118	WASHER, PLATE	7				



**FIG. 35 STAND & FOOTREST**

REF. NO.	PART NO.	DESCRIPTION	5SL1				REMARKS
1	5SL-27311-00	STAND, SIDE	1				
2	5SL-27321-00	BRACKET, SIDE STAND	1				
3	4NX-27351-00	GUIDE, SIDE STAND	1				
4	5PW-27352-00	HOOK, SIDE STAND	1				
5	90506-18008	SPRING, TENSION	1				
6	90445-19002	HOSE (L60)	1				
7	90201-081R9	WASHER, PLATE	1				
8	90101-08662	BOLT	1				
9	95607-10200	NUT, SELF-LOCKING	1				
10	90201-101J1	WASHER, PLATE	1				
11	90201-146F9	WASHER, PLATE	1				
12	5JJ-27315-00	LINK, SIDE STAND	1				
13	91317-06012	BOLT	1				
14	90109-105G7	BOLT	2				
15	5SL-22187-00	GUIDE, CHAIN	1				
16	90387-073M0	COLLAR	1				
17	90119-06192	BOLT, WITH WASHER	1				
18	5SL-27451-00	FOOTREST	1				
19	5SL-27442-00	BRACKET 2	1				
20	90508-18134	SPRING, TORSION	1				
21	90240-08084	PIN, CLEVIS	1				
22	91401-25015	PIN, COTTER	1				
23	90109-08018	BOLT	1				
24	4BP-27434-01	BOLT	1				
25	90201-08326	WASHER, PLATE	1				
26	5SL-27445-00	PLATE 1	1				
27	90149-06233	SCREW	2				

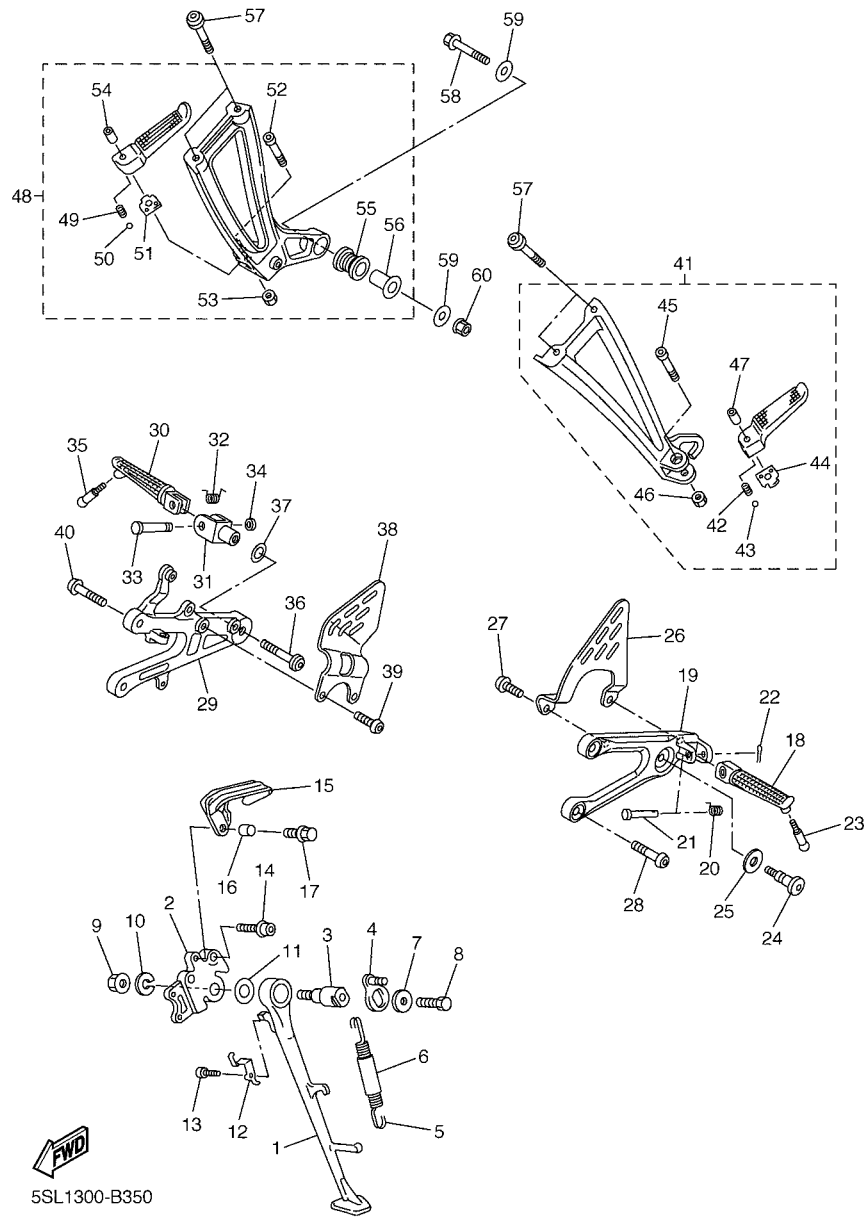
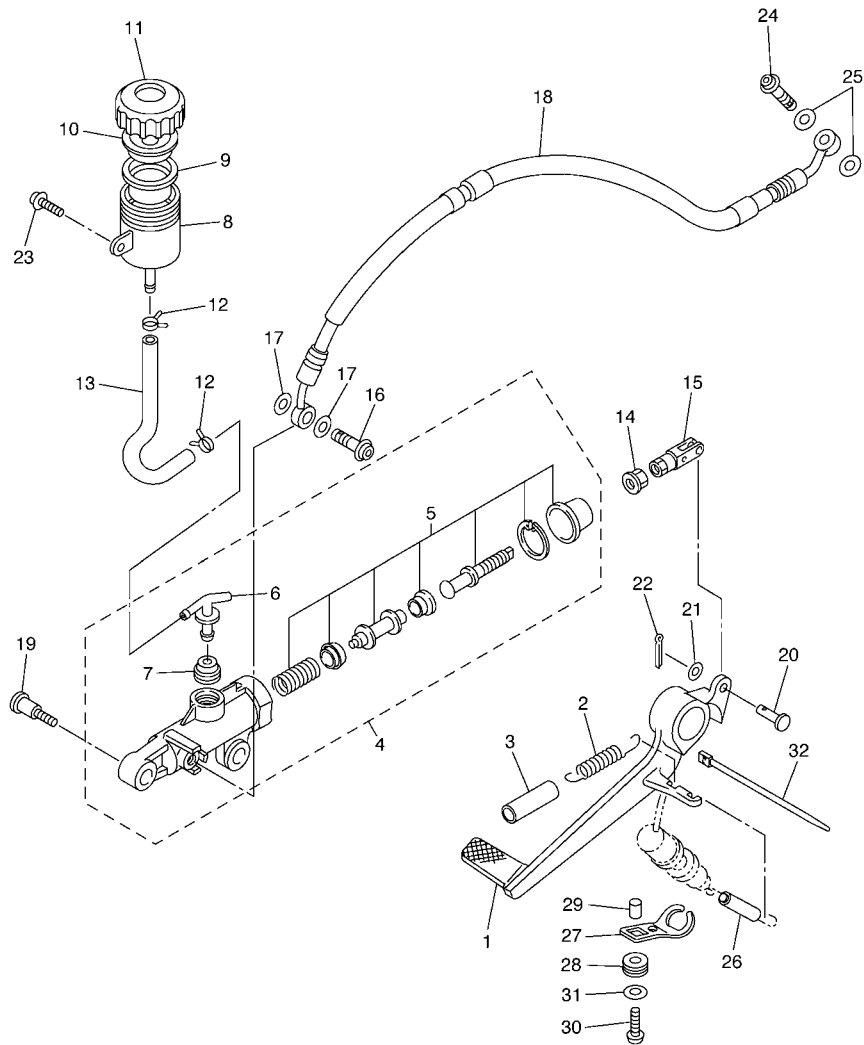


FIG. 35 STAND & FOOTREST

REF. NO.	PART NO.	DESCRIPTION	5SL1				REMARKS
28	90109-085G6	BOLT	2				
29	5SL-27443-00	BRACKET 3	1				
30	5SL-27461-00	FOOTREST	1				
31	5JJ-27411-01	FOOTREST 1	1				
32	90508-18135	SPRING, TORSION	1				
33	90243-08029	PIN	1				
34	90201-06042	WASHER, PLATE	1				
35	90109-08018	BOLT	1				
36	90149-08296	SCREW	1				
37	90201-13008	WASHER, PLATE	1				
38	5SL-27446-00	PLATE 2	1				
39	90149-06233	SCREW	2				
40	90109-085G6	BOLT	2				
41	5SL-27430-00	REAR FOOTREST ASSY 1	1				
42	90501-12743	.SPRING, COMPRESSION	1				
43	93501-04011	.BALL	1				
44	5JJ-27437-00	.WASHER, SPECIAL	1				
45	91314-06035	.BOLT	1				
46	95604-06200	.NUT, U FLANGE	1				
47	90387-06697	.COLLAR	1				
48	5SL-27440-00	REAR FOOTREST ASSY 2	1				
49	90501-12743	.SPRING, COMPRESSION	1				
50	93501-04011	.BALL	1				
51	5JJ-27437-00	.WASHER, SPECIAL	1				
52	91314-06035	.BOLT	1				
53	95604-06200	.NUT, U FLANGE	1				
54	90387-06697	.COLLAR	1				

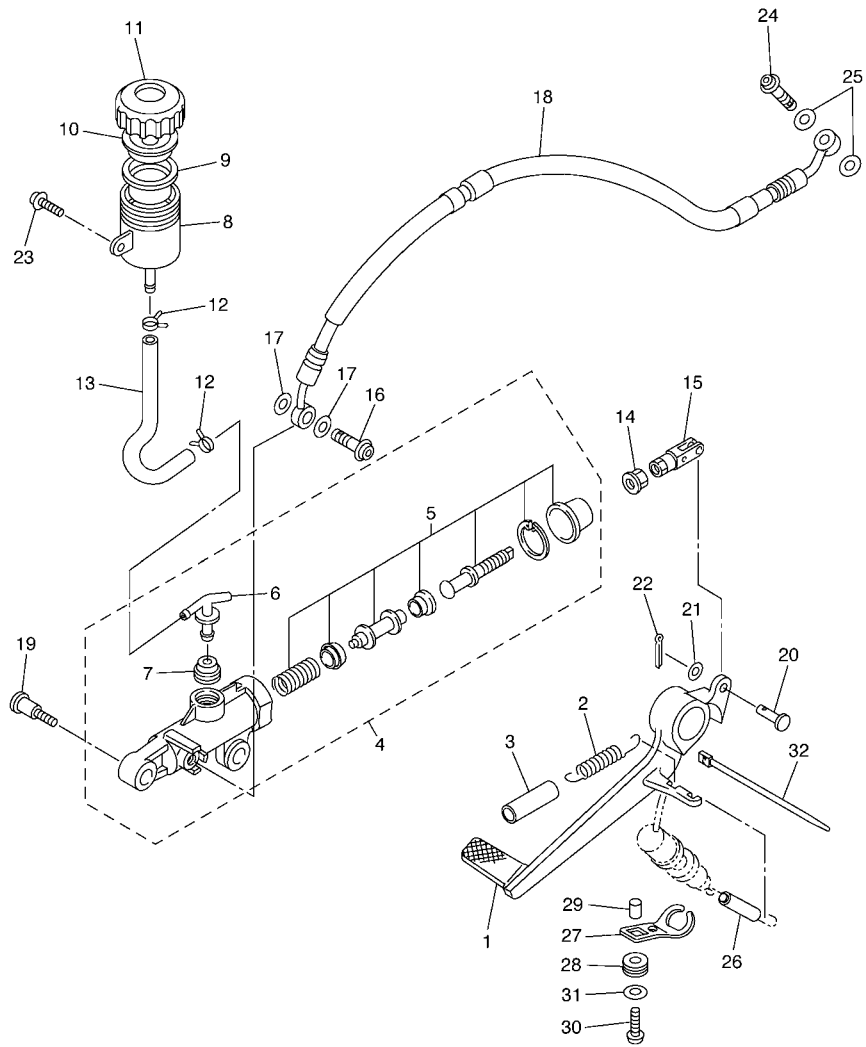




5SL1300-B360

FIG. 36 REAR MASTER CYLINDER

REF. NO.	PART NO.	DESCRIPTION	5SL1				REMARKS
1	5SL-27211-00	PEDAL, BRAKE	1				
2	90506-20193	SPRING, TENSION	1				
3	90446-15386	HOSE	1				
4	5SL-2583V-00	RR. MASTER CYLINDER ASSY.	1				
5	3TU-W0042-51	.CYLINDER KIT, MASTER	1				
6	5SL-2582A-00	.JOINT	1				
7	4BP-2585F-00	.BUSH	1				
8	5SL-25894-00	TANK, RESERVOIR	1				
9	5SL-25854-00	DIAPHRAGM, RESERVOIR	1				
10	5SL-25855-00	BUSH,DIAPHRAGM	1				
11	5SL-25852-00	CAP, RESERVOIR	1				
12	90467-010A0	CLIP	2				
13	5SL-25895-00	HOSE, RESERVOIR	1				
14	95307-08700	NUT	1				
15	5SL-27222-00	JOINT	1				
16	90401-10172	BOLT, UNION	1				
17	90201-10118	WASHER, PLATE	2				
18	5SL-25874-00	HOSE, BRAKE	1				
19	90109-06013	BOLT	2				
20	91701-06018	PIN, CLEVIS	1				
21	92907-06200	WASHER	1				
22	91401-16012	PIN, COTTER	1				
23	90159-06056	SCREW, WITH WASHER	1				
24	90401-10172	BOLT, UNION	1				
25	90201-10118	WASHER, PLATE	2				
26	90446-08001	HOSE	1				
27	5SL-2144G-00	STAY, STOP SWITCH	1				



5SL1300-B360

FIG. 36 REAR MASTER CYLINDER

REF. NO.	PART NO.	DESCRIPTION	5SL1				REMARKS
28	90480-12607	GROMMET	1				
29	90387-06023	COLLAR	1				
30	92017-06016	BOLT, BUTTON HEAD	1				
31	90201-06380	WASHER, PLATE	1				
32	5Y9-12491-00	CLAMP 1	1				
-----							
-----							
-----							
-----							
-----							
-----							
-----							
-----							

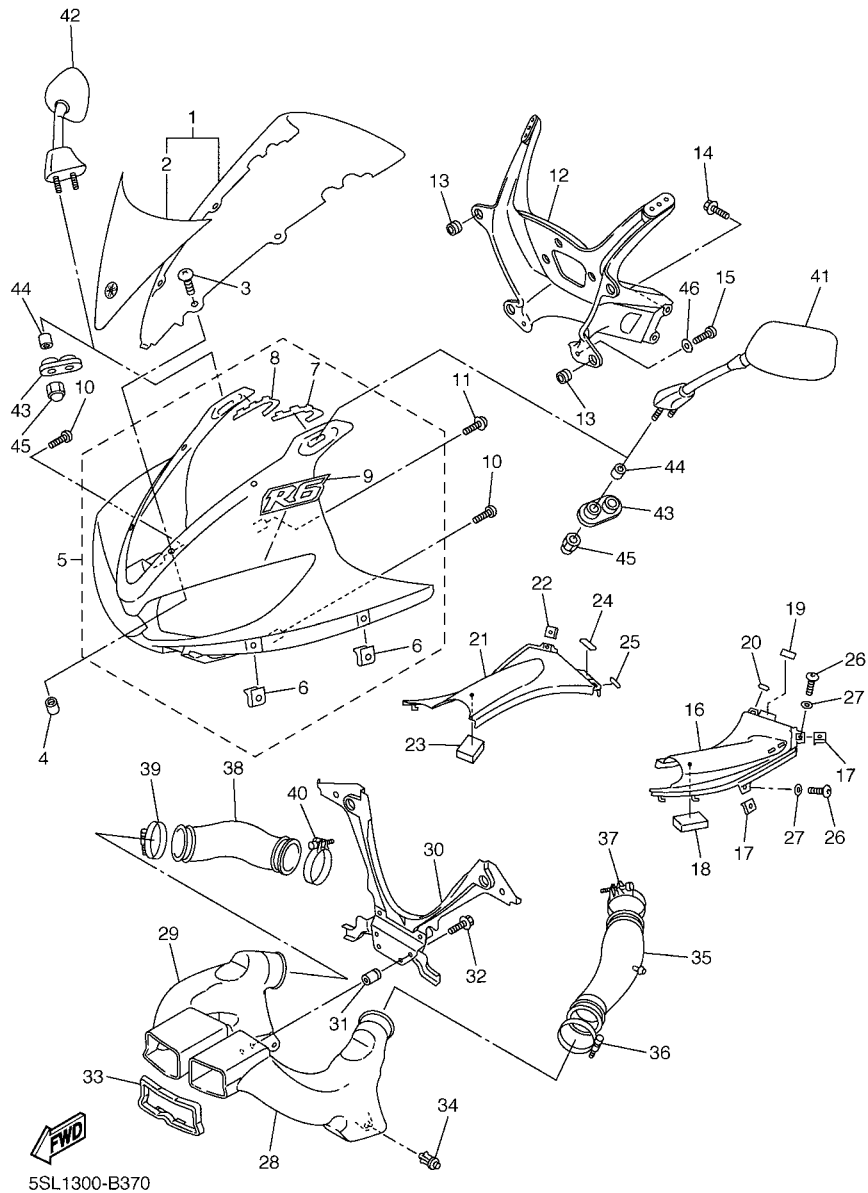
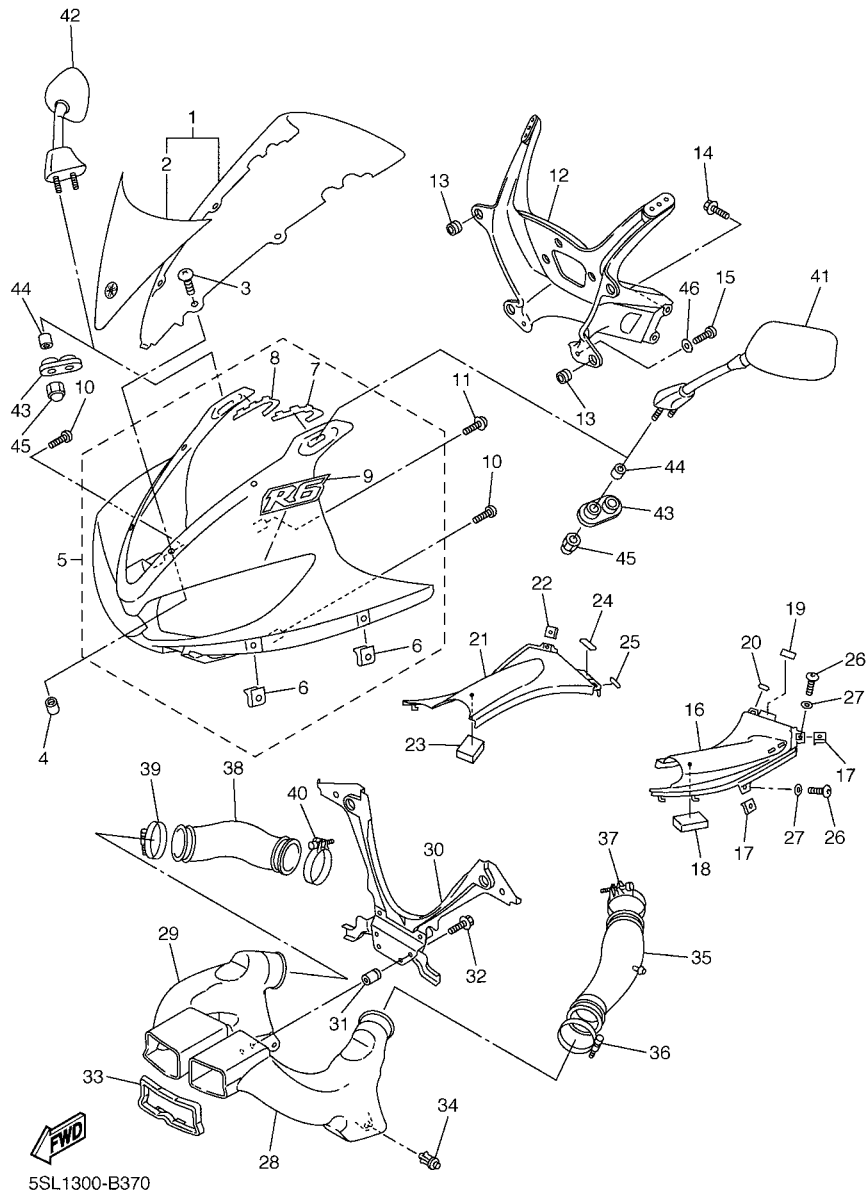


FIG. 37 COWLING 1

REF. NO.	PART NO.	DESCRIPTION	5SL1				REMARKS
1	5SL-Y2881-00	WINDSHIELD	1				
2	5SL-2832P-00	.GRAPHIC 18	1				
3	90150-05024	SCREW, ROUND HEAD	4				
4	90179-05523	NUT	4				
5	5SL-Y283G-00-P0	BODY, FRONT UPPER 1	1				UR VRC1
5	5SL-Y283G-10-P1	BODY, FRONT UPPER 1	1				UR DPBMC
5	5SL-Y283G-20-P2	BODY, FRONT UPPER 1	1				UR S3
5	5SL-Y283G-30-P3	BODY, FRONT UPPER 1	1				UR RYC1
6	90183-05024	.NUT, SPRING	4				
7	5SL-28428-00	.SEAL 1	1				
8	5SL-28429-00	.SEAL 2	1				
9	5SL-28315-00	.EMBLEM	1				UR FOR VRC1
9	5SL-28315-10	.EMBLEM	1				UR FOR DPBMC
9	5SL-28315-20	.EMBLEM	1				UR FOR S3
9	5SL-28315-40	.EMBLEM	1				UR FOR RYC1
10	97707-50016	SCREW, TAPPING	3				
11	90160-05007	SCREW, ROUND TAPPING	2				
12	5SL-28356-00	STAY 1	1				
13	4XV-83513-00	DAMPER	7				
14	90105-08052	BOLT, FLANGE	2				
15	90167-05078	SCREW, TAPPING	2				
16	5SL-2837L-00	PANEL, CONSOLE 1	1				
17	90183-05061	NUT, SPRING	2				
18	4XY-21649-00	DAMPER	1				
19	1FK-84527-00	DAMPER	1				
20	5SL-28416-00	DAMPER 2	1				
21	5SL-2837M-00	PANEL, CONSOLE 2	1				

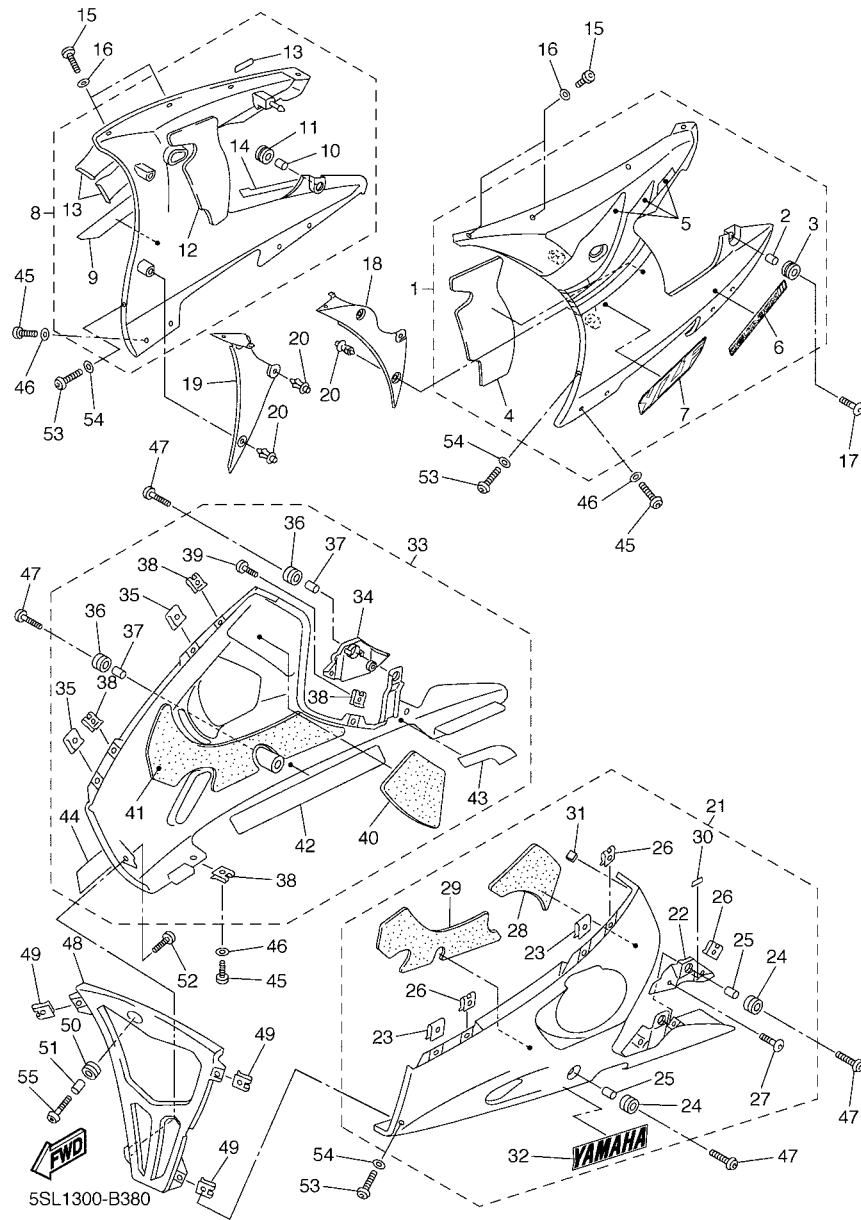


5SL1300-B370

FIG. 37 COWLING 1

REF. NO.	PART NO.	DESCRIPTION	5SL1				REMARKS
22	90183-05061	NUT, SPRING	2				
23	4XY-21649-00	DAMPER	1				
24	1FK-84527-00	DAMPER	1				
25	5SL-28416-00	DAMPER 2	1				
26	90111-05003	BOLT	4				
27	90202-05180	WASHER, PLATE	4				
28	5SL-2838R-00	DUCT 2	1				
29	5SL-2838T-00	DUCT 3	1				
30	5SL-2838E-00	COVER, HEADLIGHT	1				
31	90179-05523	NUT	4				
32	90119-05001	BOLT, WITH WASHER	4				
33	5SL-28371-00	DAMPER	1				
34	90269-06008	RIVET	2				
35	5EB-1446F-00	JOINT, SURGE TANK 1	1				
36	4TV-13575-00	BAND	1				
37	90460-59211	CLAMP, HOSE	1				
38	5EB-1446F-00	JOINT, SURGE TANK 1	1				
39	4TV-13575-00	BAND	1				
40	90460-59211	CLAMP, HOSE	1				
41	5SL-26280-00	REAR VIEW MIRROR ASSY (LEFT)	1				
42	5SL-26290-00	REAR VIEW MIRROR ASSY (RIGHT)	1				
43	5SL-26298-00	PLATE, MIRROR FITTING 1	2				
44	90387-06057	COLLAR	4				
45	90176-06008	NUT, CROWN	4				
46	90202-05088	WASHER, PLATE	2				





**FIG. 38 COWLING 2**

REF. NO.	PART NO.	DESCRIPTION	SSL1			REMARKS
1	5SL-Y283U-00-4B	PANEL ASSEMBLY 1	1			UR BL2 FOR VRC1
	5SL-Y283U-10-4B	PANEL ASSEMBLY 1	1			UR BL2 FOR DPBMC
	5SL-Y283U-20-P0	PANEL ASSEMBLY 1	1			UR MBL2 FOR S3
	5SL-Y283U-30-4B	PANEL ASSEMBLY 1	1			UR BL2 FOR RYC1
2	90387-06057	.COLLAR	1			
3	90480-14003	.GROMMET	1			
4	5SL-2836T-00	.DAMPER, LOCATING 1	1			
5	5SL-28301-00	.GRAPHIC SET, LOWER COVER 1	1			UR EXCEPT FOR S3
	5SL-28301-10	.GRAPHIC SET, LOWER COVER 1	1			UR FOR S3
6	5SL-28328-00	.EMBLEM	1			UR FOR VRC1
	5SL-28328-10	.EMBLEM	1			UR FOR DPBMC
	5SL-28328-20	.EMBLEM	1			UR FOR S3
	5SL-28328-50	.EMBLEM	1			UR FOR RYC1
7	5PW-2839H-10	.EMBLEM 1	1			UR EXCEPT FOR S3
	5PW-2839H-20	.EMBLEM 1	1			UR FOR S3
8	5SL-Y283V-00-4B	PANEL ASSEMBLY 2	1			UR BL2 FOR VRC1
	5SL-Y283V-10-4B	PANEL ASSEMBLY 2	1			UR BL2 FOR DPBMC
	5SL-Y283V-20-P0	PANEL ASSEMBLY 2	1			UR MBL2 FOR S3
	5SL-Y283V-30-4B	PANEL ASSEMBLY 2	1			UR BL2 FOR RYC1
9	5PW-2839H-10	.EMBLEM 1	1			UR EXCEPT FOR S3
	5PW-2839H-20	.EMBLEM 1	1			UR FOR S3
10	90387-06057	.COLLAR	1			
11	90480-14003	.GROMMET	1			
12	5SL-2836U-00	.DAMPER, LOCATING 2	1			
13	5SL-28303-00	.GRAPHIC SET, LOWER COVER 2	1			UR EXCEPT FOR S3
	5SL-28303-10	.GRAPHIC SET, LOWER COVER 2	1			UR FOR S3
14	5SL-28328-00	.EMBLEM	1			UR FOR VRC1

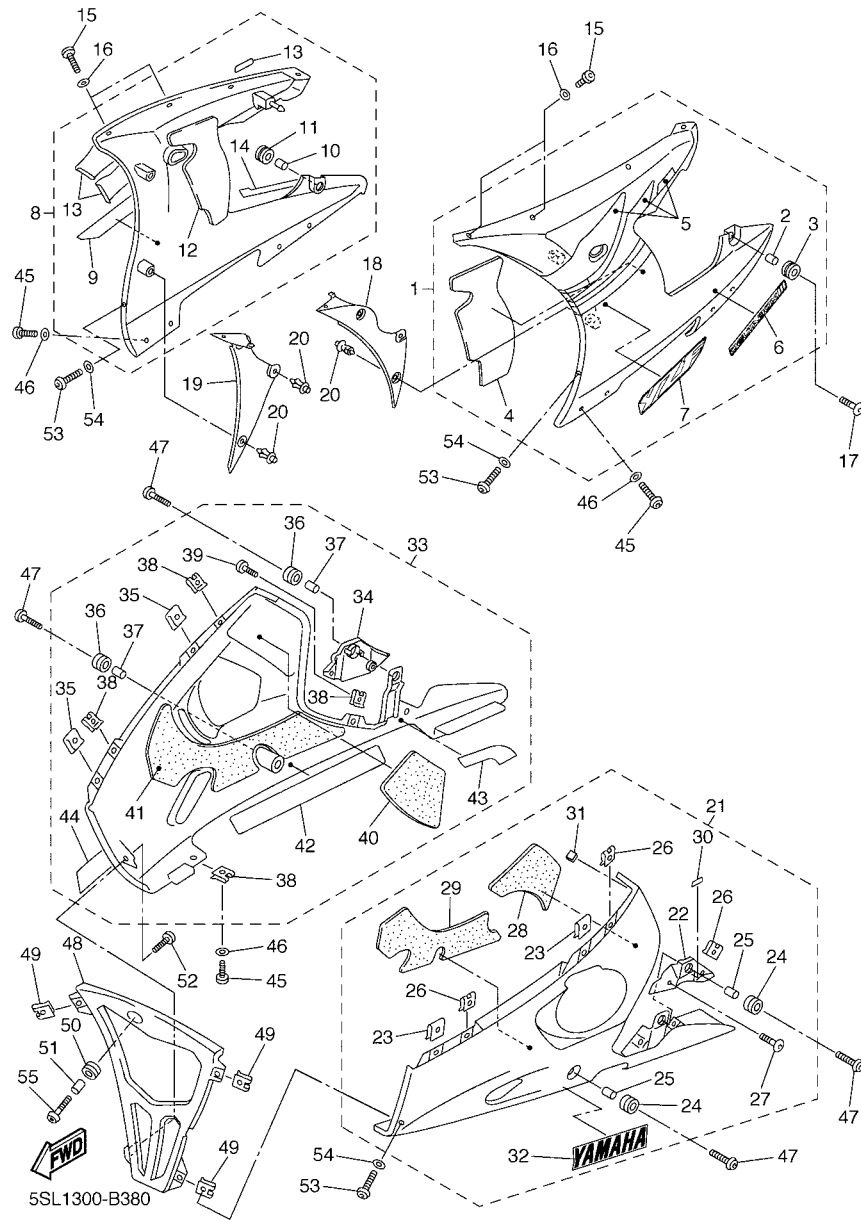


FIG. 38 COWLING 2

REF. NO.	PART NO.	DESCRIPTION	SSL1			REMARKS
14	5SL-28328-10	.EMBLEM	1			UR FOR DPBMC
	5SL-28328-20	.EMBLEM	1			UR FOR S3
	5SL-28328-50	.EMBLEM	1			UR FOR RYC1
15	90111-05003	BOLT	4			
16	90202-05180	WASHER, PLATE	4			
17	90111-06040	BOLT	2			
18	5SL-2836K-00	PANEL, INNER 1	1			
19	5SL-2836L-00	PANEL, INNER 2	1			
20	90269-06008	RIVET	6			
21	5SL-Y2808-00-4B	COVER ASSY, UNDER	1			BL2 FOR VRC1,RYC1
	5SL-Y2808-00-P0	COVER ASSY, UNDER	1			DPBMC
	5SL-Y2808-10-P1	COVER ASSY, UNDER	1			MBL2 FOR S3
22	5SL-2843J-00	.COVER 3	1			
23	90183-05024	.NUT, SPRING	2			
24	90480-14003	.GROMMET	2			
25	90387-06057	.COLLAR	2			
26	90183-05061	.NUT, SPRING	5			
27	90111-05002	.BOLT	2			
28	5SL-2834E-00	.DAMPER 1	1			
29	5SL-2837J-00	.DAMPER 5	1			
30	1HX-27415-00	.PLATE, DAMPER	1			
31	5SL-21649-00	.DAMPER	1			
32	99241-00280	.EMBLEM, YAMAHA	1			UR EXCEPT FOR S3
	99246-00280	.EMBLEM, YAMAHA	1			UR FOR S3
33	5SL-Y2809-00-4B	COVER ASSY 2, UNDER	1			BL2 FOR VRC1,RYC1
	5SL-Y2809-00-P0	COVER ASSY 2, UNDER	1			DPBMC
	5SL-Y2809-10-P1	COVER ASSY 2, UNDER	1			MBL2 FOR S3

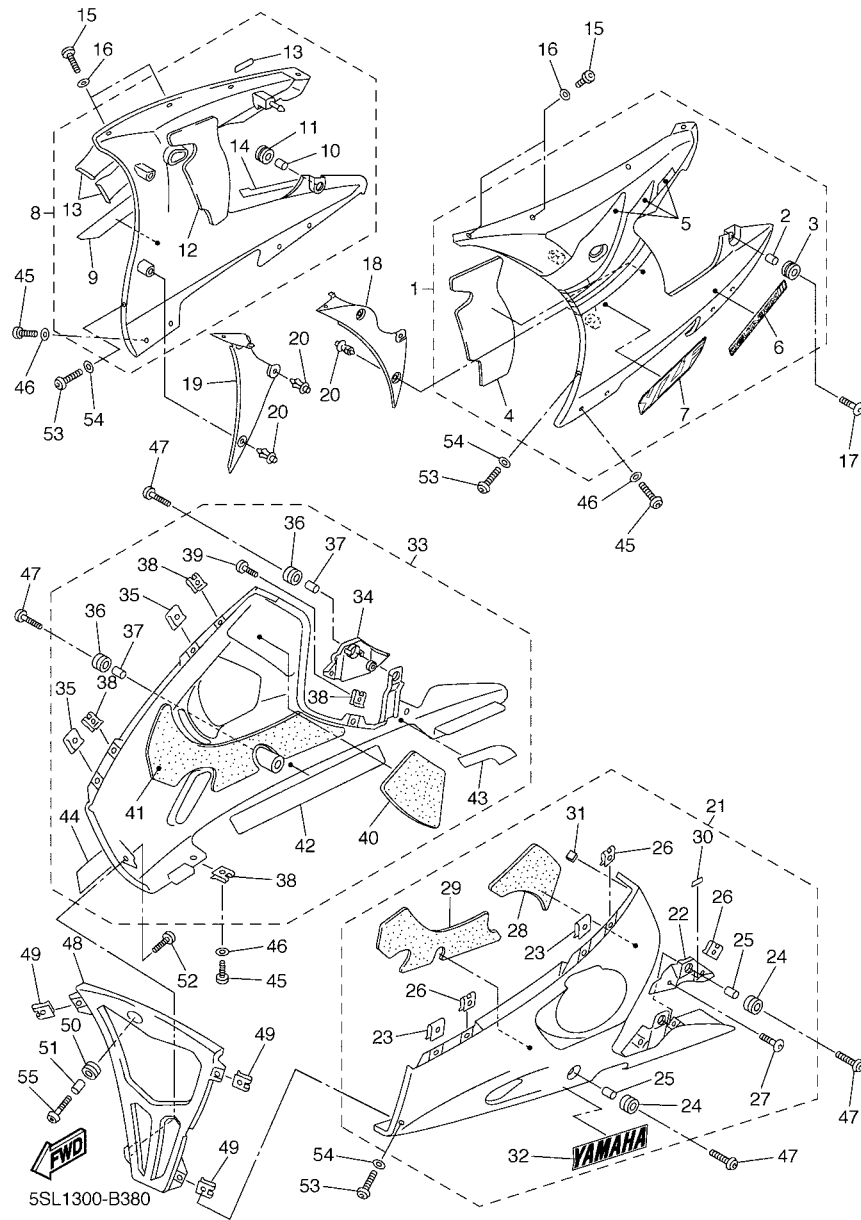
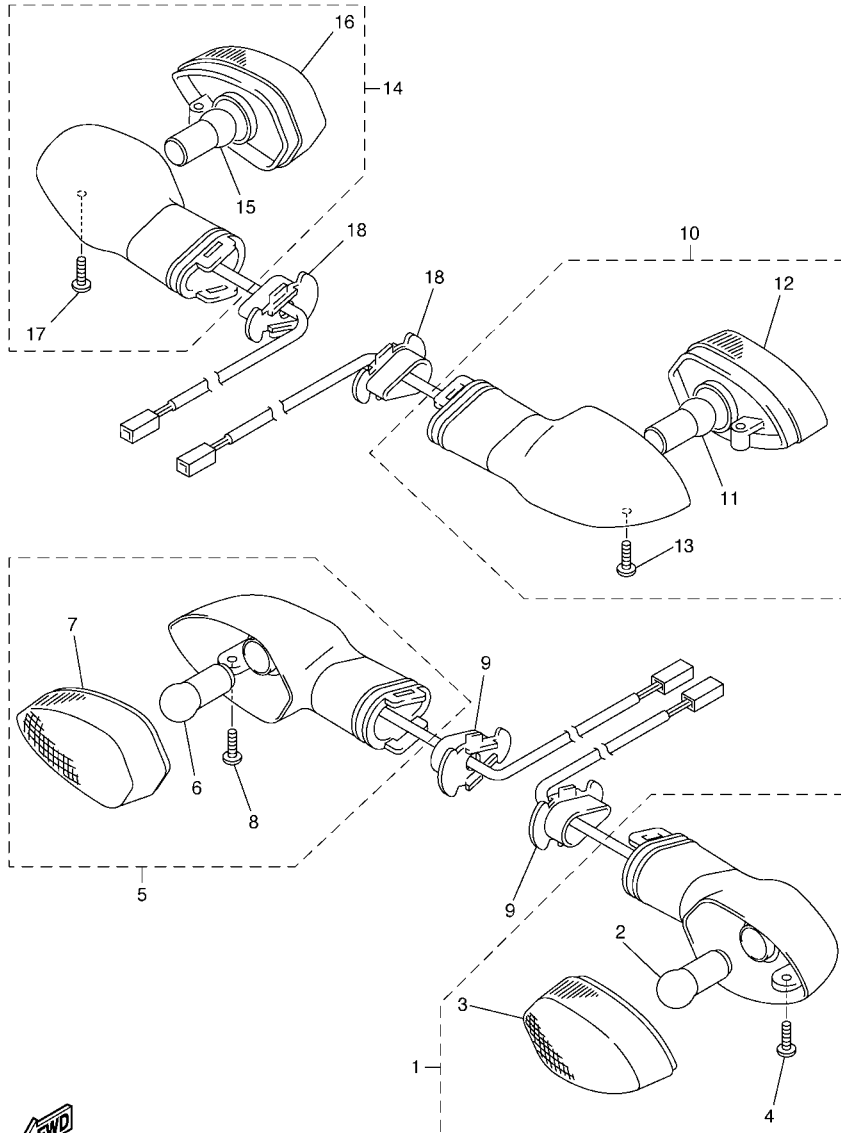


FIG. 38 COWLING 2

REF. NO.	PART NO.	DESCRIPTION	SSL1				REMARKS
34	5SL-2844J-00	.COVER 4	1				
35	90183-05024	.NUT, SPRING	2				
36	90480-14003	.GROMMET	2				
37	90387-06057	.COLLAR	2				
38	90183-05061	.NUT, SPRING	4				
39	90111-05002	.BOLT	2				
40	5SL-2834F-00	.DAMPER	1				
41	5SL-2837K-00	.DAMPER 6	1				
42	5SL-2838G-00	.SEAT 1	1				
43	5SL-2848K-00	.SEAT 2	1				
44	99241-00280	.EMBLEM, YAMAHA	1				UR EXCEPT FOR S3
	99246-00280	.EMBLEM, YAMAHA	1				UR FOR S3
45	90111-05003	BOLT	9				
46	90202-05180	WASHER, PLATE	9				
47	90111-06040	BOLT	4				
48	5SL-2836M-00	PANEL, INNER 3	1				
49	90183-05061	NUT, SPRING	3				
50	90480-14003	GROMMET	1				
51	90387-06057	COLLAR	1				
52	97707-50016	SCREW, TAPPING	1				
53	90111-05003	BOLT	3				
54	90202-05180	WASHER, PLATE	3				
55	90111-06040	BOLT	1				







5PW1300-2410

FIG. 41 FLASHER LIGHT

REF. NO.	PART NO.	DESCRIPTION	SSL1				REMARKS
1	5PW-83310-01	FRONT FLASHER LIGHT ASSY 1	1				
2	1KH-83311-00	.BULB (12V-10W)	1				
3	5PW-8333A-00	.LENS COMP	1				
4	97706-04012	.SCREW, TAPPING	1				
5	5PW-83320-01	FRONT FLASHER LIGHT ASSY 2	1				
6	1KH-83311-00	.BULB (12V-10W)	1				
7	5PW-8334A-00	.LENS COMP	1				
8	97706-04012	.SCREW, TAPPING	1				
9	5PW-83318-00	STAY, FLASHER 1	2				
10	5PW-83330-00	REAR FLASHER LIGHT ASSY 1	1				
11	1KH-83311-00	.BULB (12V-10W)	1				
12	5PW-8334A-00	.LENS COMP	1				
13	97706-04012	.SCREW, TAPPING	1				
14	5PW-83340-00	FLASHER LIGHT ASSY 2	1				
15	1KH-83311-00	.BULB (12V-10W)	1				
16	5PW-8333A-00	.LENS COMP	1				
17	97706-04012	.SCREW, TAPPING	1				
18	5PW-83318-00	STAY, FLASHER 1	2				



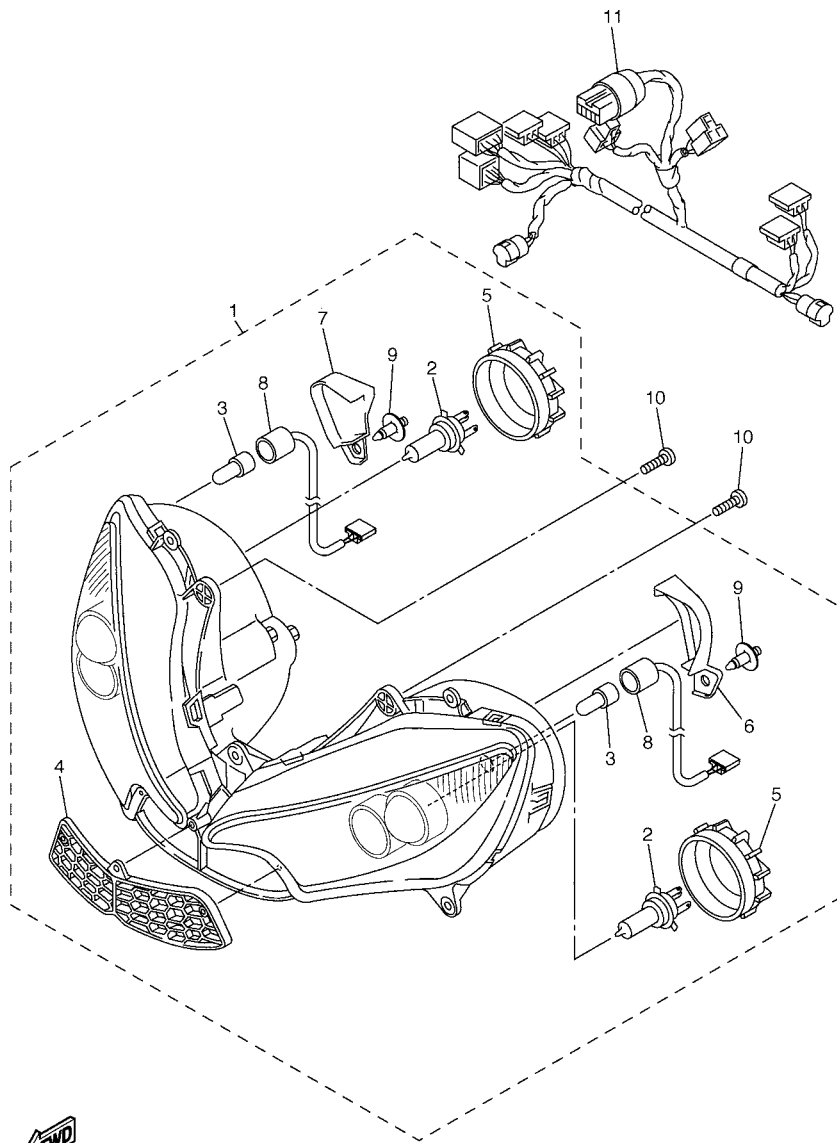


FIG. 43 HEADLIGHT

REF. NO.	PART NO.	DESCRIPTION	SSL1				REMARKS
1	5SL-84300-00	HEADLIGHT ASSY	1				
	5SL-84300-10	HEADLIGHT ASSY	1				FOR GBR
2	4SV-84314-00	.BULB (12V-55W)	2				(H7)HALOGEN
3	4SV-84347-00	.BULB (12V-5W)	2				
4	5SL-2837N-00	.GRILL, AIR INTAKE 1	1				
5	5SL-84397-00	.COVER, SOCKET	2				
6	5SL-84196-00	.COVER (L.H)	1				
7	5SL-84396-00	.COVER (R.H)	1				
8	5SL-84312-00	.CORD ASSY	2				
9	90269-06008	.RIVET	2				
10	90160-05006	SCREW, ROUND TAPPING	4				
11	5SL-84359-00	CORD, HEADLIGHT	1				



5SL1300-B431





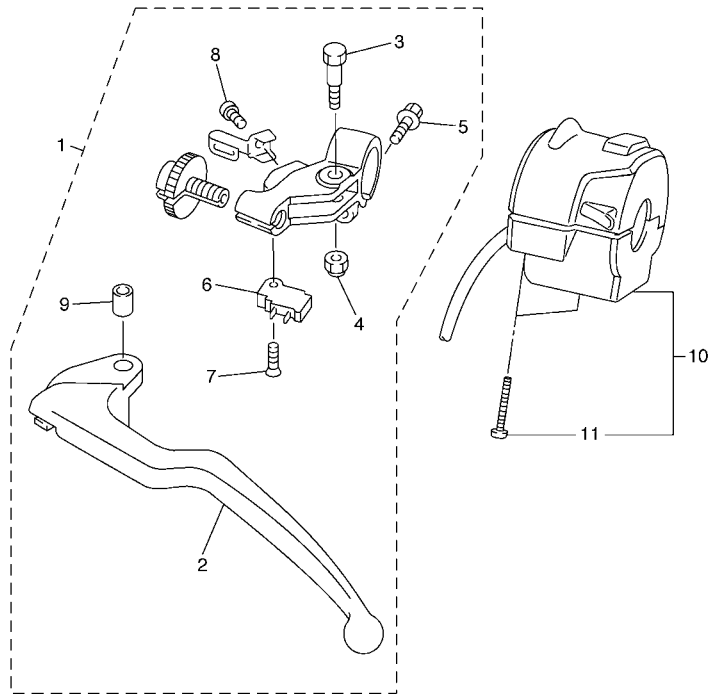
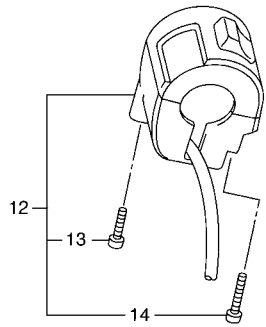
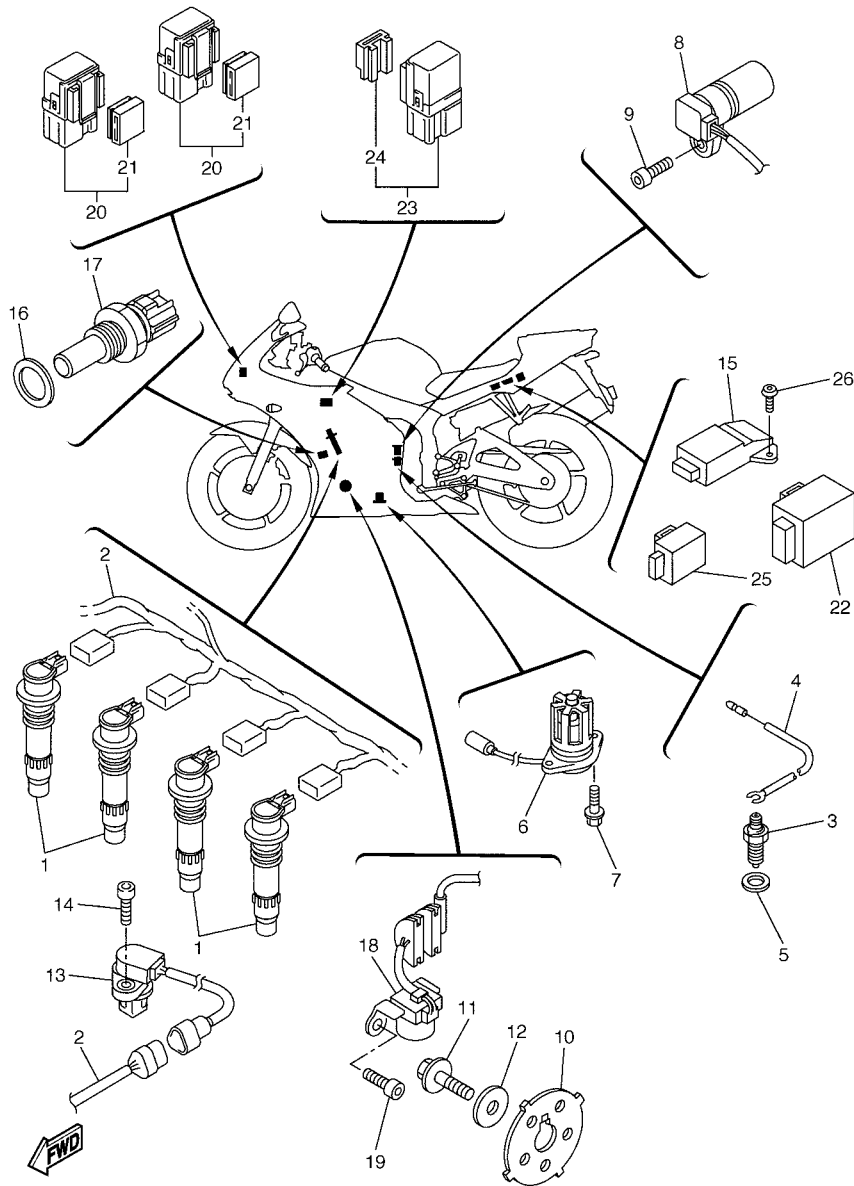


FIG. 45 HANDLE SWITCH & LEVER

REF. NO.	PART NO.	DESCRIPTION	SSL1				REMARKS
1	5EB-82910-03	LEVER HOLDER ASSY (LEFT)	1				
2	5EB-83912-01	.LEVER 1	1				
3	4XV-83945-00	.BOLT, LEVER	1				
4	95607-06100	.NUT, U	1				
5	95027-06020	.BOLT, FLANGE	1				
6	4XV-82917-01	.SWITCH	1				
7	98707-03016	.SCREW, FLAT HEAD	1				
8	98507-04010	.SCREW, PAN HEAD	1				
9	4XV-83913-00	.COLLAR, LEVER 1	1				
10	5SL-83969-00	SWITCH, HANDLE 5	1				
11	98507-05035	.SCREW, PAN HEAD	1				
12	5SL-83975-00	SWITCH, HANDLE 2	1				
13	98507-05025	.SCREW, PAN HEAD	1				
14	98507-05030	.SCREW, PAN HEAD	1				



5SL1300-B450



5SL1300-B460

FIG. 46 ELECTRICAL 1

REF. NO.	PART NO.	DESCRIPTION	5SL1				REMARKS
1	5SL-82310-20	IGNITION COIL ASSY	4				
2	5SL-82309-10	WIRE, SUB LEAD	1				
3	3GB-82540-01	NEUTRAL SWITCH ASSY	1				
4	5MT-82541-00	WIRE, LEAD	1				
5	90430-10148	GASKET	1				
6	5SL-85720-00	OIL LEVEL GAUGE ASSY	1				
7	95027-06016	BOLT, FLANGE	2				
8	5EB-83755-00	SENSOR, SPEED	1				
9	91317-06016	BOLT	1				
10	5SL-81673-00	ROTOR	1				
11	90105-08386	BOLT, FLANGE	1				
12	90201-08753	WASHER, PLATE	1				
13	5PW-85896-01	SENSOR, CAM POSITION	1				
14	90110-06072	BOLT, HEXAGON SOCKET HEAD	1				
15	5JW-82380-00	SENSOR, PRESSURE	1				
16	90201-12790	WASHER, PLATE	1				
17	8CC-85790-01	THERMOSENSOR ASSY	1				
18	5SL-81670-00	PICK-UP ASSY	1				
19	91317-06016	BOLT	2				
20	5JJ-81950-20	RELAY ASSY	2				
21	5JJ-81952-00	.HOLDER, RELAY	1				
22	5PW-81950-00	RELAY ASSY	1				
23	5EA-81950-20	RELAY ASSY	1				
24	5EA-81952-00	.HOLDER, RELAY	1				
25	4GY-83350-00	FLASHER RELAY ASSY	1				
26	92017-05016	BOLT, BUTTON HEAD	1				

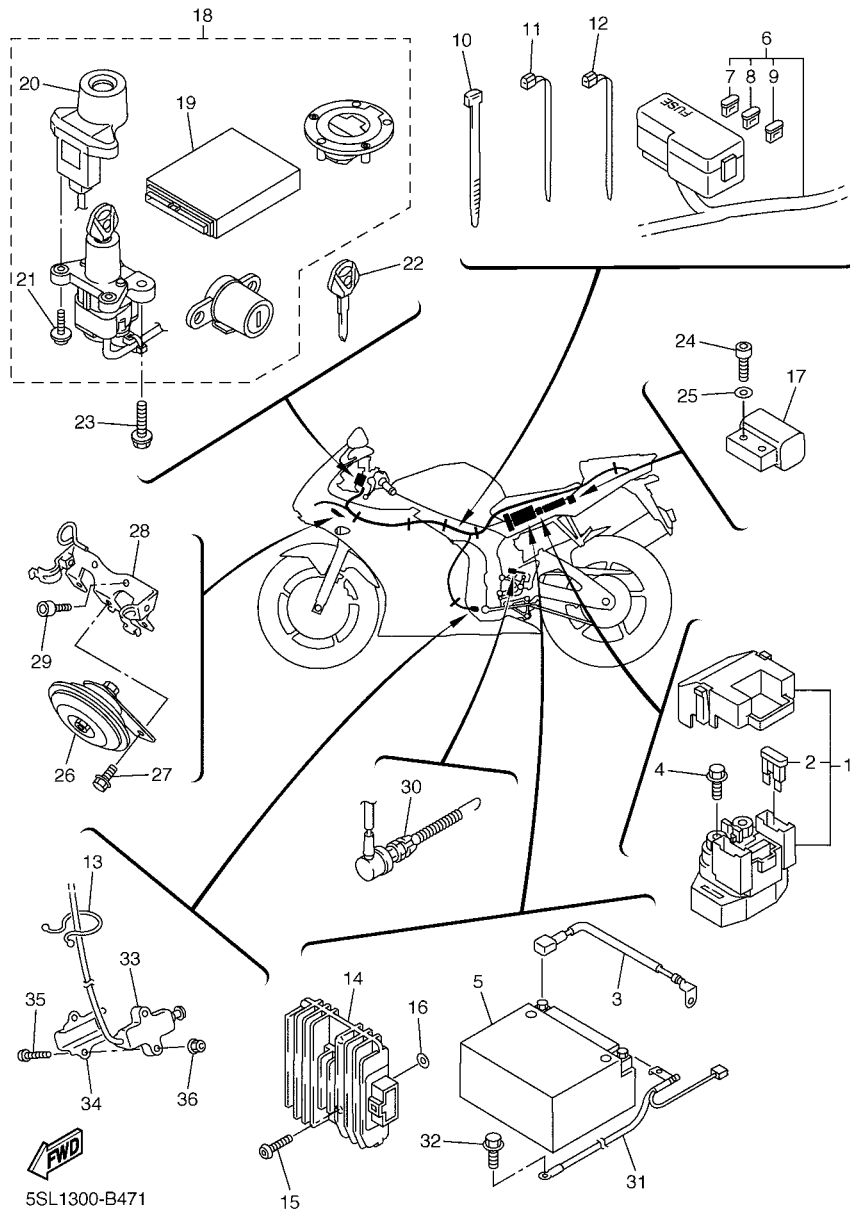


FIG. 47 ELECTRICAL 2

REF. NO.	PART NO.	DESCRIPTION	SSL1				REMARKS
1	5SL-81940-00	STARTER RELAY ASSY	1				
2	5EA-82151-00	.FUSE (40A-BL)	2				
3	5SL-82115-00	WIRE, PLUS LEAD	1				
4	95027-06008	BOLT, FLANGE	2				
5	5FL-82100-01	BATTERY ASSY (GT9B-4)	1				
6	5SL-82590-00	WIRE HARNESS ASSY	1				
7	5JJ-82151-10	.FUSE (15A-BL)	5				
8	5JJ-82151-20	.FUSE (20A-BL)	2				
9	5JJ-82151-30	.FUSE (10A-BL)	3				
10	90464-15195	CLAMP	1				
11	3MA-82591-00	BAND	2				
12	90464-13077	CLAMP	1				
13	90465-18147	CLAMP	1				
14	5SL-81960-00	RECTIFIER & REGULATOR ASSY	1				
15	92017-06025	BOLT, BUTTON HEAD	2				
16	90202-06001	WASHER, PLATE	2				
17	5PS-82576-01	EMERGENCY STOP SWITCH ASSY	1				
18	5SL-W8250-00	MAIN SW. IMMOBILIZER KIT	1				
19	5SL-8591A-00	.ENGINE CONTROL UNIT ASSY	1				
20	5SL-8255P-00	.IMMOBILIZER. UNIT COMP.	1				
21	5SL-82113-00	.SCREW	2				
22	5SL-82511-09	BLANK KEY	1				AP
23	90109-080G5	BOLT	2				
24	91317-04025	BOLT	2				
25	90201-042E0	WASHER, PLATE	2				
26	4TH-83371-00	HORN	1				
27	95807-06010	BOLT, FLANGE	1				



NUMERICAL INDEX

PART NO.	GRID NO.	PART NO.	GRID NO.	PART NO.	GRID NO.	PART NO.	GRID NO.	PART NO.	GRID NO.	PART NO.	GRID NO.
5SL-11101-00	B - 2	1HX-12168-U1	B - 4	5SL-12582-00	B - 8	5PW-14396-00	B - 15	5SL-15451-00	C - 6	5MT-18512-00	C - 13
4KG-1111G-00	B - 2	1HX-12168-W1	B - 4	5SL-12588-00	B - 7	5SL-14411-00	B - 12	5SL-15456-00	C - 6	5EB-18513-00	C - 13
5EB-11133-10	B - 2	1HX-12168-Y1	B - 4	5SL-12589-01	B - 9	5SL-14413-00	B - 15	5SL-15461-00	C - 6	4XV-18531-00	C - 13
5SL-11165-00	C - 4	1HX-12169-11	B - 4	5EB-12659-00	B - 8	5EB-1441F-01	B - 12	5SL-15462-00	C - 4	5EB-18536-00	C - 13
5SL-11181-00	B - 2	1HX-12169-31	B - 4	5EB-12668-00	B - 8	5SL-14421-00	B - 12	5SL-15463-00	C - 7	5SL-18540-00	C - 13
5SL-11191-00	B - 2	1HX-12169-50	B - 5	5GJ-12675-00	B - 8	5CA-14435-00	B - 12	5SL-15484-00	F - 6	136-18542-00	C - 13
5SL-11193-00	B - 2	1HX-12169-70	B - 5	5SL-12682-00	B - 13	5SL-14450-00	B - 12	5SL-15512-00	C - 8	5SL-21110-00	C - 15
214-11198-01	B - 11	1HX-12169-90	B - 5	5EB-12822-00	B - 11	5EB-14452-00	B - 12	5MT-15515-00	C - 8	5SL-2117M-00	D - 2
5SL-11411-00	B - 3	1HX-12169-E0	B - 5	5EB-13161-00	B - 10	5SL-14453-00	B - 12	5MT-15521-00	C - 8	5SL-2117V-00	C - 15
5EB-11416-00	B - 3	1HX-12169-G0	B - 5	5EB-1316E-00	B - 10	5EB-14457-00	B - 12	5SL-15590-00	C - 8	5SL-2117W-00	C - 15
5EB-11416-10	B - 3	1HX-12169-J0	B - 5	5MT-13300-00	B - 10	5EB-14462-00	B - 12	5SL-16150-00	C - 9	5SL-21190-00	C - 15
5EB-11416-20	B - 3	1HX-12169-L0	B - 5	5SL-13410-00	B - 10	5EB-14467-00	B - 12	5EB-16154-00	C - 9	5SL-21208-00	D - 2
5EB-11416-30	B - 3	1HX-12169-N0	B - 5	5SL-13414-00	B - 11	5SL-14469-00	B - 12	1AE-16164-00	C - 9	5SL-21268-00	D - 2
5EB-11416-A0	B - 3	1HX-12169-T0	B - 5	5EB-13415-00	B - 10	5EB-1446F-00	F - 2	4FN-16321-00	C - 9	5SL-21283-00	C - 15
5SL-11603-00	B - 3	5SL-12170-00	B - 6	5JW-13416-00	B - 10	5SL-14477-00	B - 12	5SL-16321-00	C - 9	3YX-21376-00	D - 3
5SL-11631-00	B - 3	5EB-12176-00	B - 6	5SL-13417-00	B - 11	5SL-14479-00	B - 12	168-16324-00	C - 9	5SL-2139X-00	D - 2
5SL-11633-00	B - 3	5SL-12180-00	B - 6	5EB-13418-00	C - 4	5JW-14589-00	B - 14	3J2-16324-00	C - 9	5SL-21446-10	C - 3
5SL-11650-00	B - 3	5SL-12210-10	B - 6	5GH-13440-00	B - 11	5SL-14602-00	C - 3	5SL-16340-00	C - 9	5SL-2144G-00	E - 13
5SL-11654-00	B - 3	4FM-12213-00	B - 6	5EB-13470-00	B - 11	3YF-14613-01	C - 3	132-16346-00	C - 14	5SL-21486-00	C - 15
5SL-11656-00	B - 3	5BE-12241-00	B - 6	4JH-13473-00	B - 11	5SL-14710-00	C - 3	5EB-16351-01	C - 9	5SL-21488-00	C - 15
5SL-11656-10	B - 3	5EB-12251-00	B - 6	5EB-13475-00	B - 11	5SL-14714-00	C - 3	5EB-16356-01	C - 9	5EB-21495-00	C - 15
5SL-11656-20	B - 3	5EB-12252-10	B - 6	3KS-13490-00	B - 11	5EB-14733-00	D - 4	5SL-16371-00	C - 9	5SL-21511-00-P0	D - 3
5SL-11656-30	B - 3	5SL-12405-00	B - 8	68V-13533-00	B - 15	5SL-1482K-00	B - 2	5EB-16382-00	C - 9	5SL-21511-00-P1	D - 3
5EB-12111-00	B - 4	5SL-12410-00	B - 8	4TV-13575-00	F - 2	5SL-14834-00	C - 2	5SL-17121-00	C - 11	5SL-21511-00-P2	D - 3
5SL-12113-00	B - 4	5EB-12413-00	B - 8	5SL-13586-00	B - 12	5SL-14840-00	C - 2	5SL-17131-20	C - 11	5SL-21511-00-P3	D - 3
5SL-12114-00	B - 4	5EB-12421-00	B - 7	5SL-13596-00	B - 12	5SL-14881-00	C - 2	5SL-17151-20	C - 11	5SL-21611-00-P0	D - 4
5SL-12116-00	B - 4	5SL-12422-00	B - 7	5SL-13750-00	B - 14	5SL-14882-00	C - 2	5SL-17161-00	C - 11	5SL-21611-00-P1	D - 4
5EB-12117-00	B - 4	11H-12438-10	B - 7	5SL-13761-00	B - 14	5SL-14890-00	B - 2	5SL-17211-00	C - 12	5SL-21611-00-P2	D - 4
1HX-12118-00	B - 4	5EB-12439-00	B - 7	5EB-13898-00	B - 10	5SL-14899-00	B - 2	5SL-17221-10	C - 11	5SL-21611-00-P3	D - 4
4TV-12119-00	B - 4	5SL-1243A-00	B - 9	5SL-13906-00	B - 14	4SV-14933-00	B - 14	5SL-17231-00	C - 12	5PW-2161G-00	D - 4
5SL-12121-00	B - 4	5SL-1243E-00	B - 9	5PW-13907-00	D - 13	5SL-14987-00	B - 14	5SL-17241-00	C - 11	5SL-21629-00	D - 4
5EB-12124-01	B - 4	5SL-1244E-00	B - 8	5SL-13971-00	B - 15	5SL-15100-00	C - 4	5SL-17251-00	C - 12	36Y-21639-00	D - 2
5EB-12126-00	B - 4	5SL-1244G-00	B - 9	5SL-13972-00	B - 15	11H-15138-00	B - 2	5SL-17261-10	C - 11	5SL-21639-00	D - 8
5EB-12127-00	B - 4	5EB-12450-00	B - 7	5SL-14103-00	B - 14	5EB-15155-00	C - 4	5SL-17411-00	C - 11	5SL-21646-00	D - 3
5EB-12153-09	B - 5	5SL-12461-00	B - 8	5JW-14104-00	B - 14	5EB-15163-01	C - 11	5SL-17421-00	C - 11	5SL-21647-00	D - 3
5EB-12153-20	B - 5	5SL-12462-00	B - 8	5PW-1410F-00	B - 15	36Y-15189-00	C - 4	278-17424-01	C - 12	4XY-21649-00	E - 15
5EB-12153-30	B - 5	5EB-12469-00	B - 7	5PW-14112-00	B - 15	5SL-15189-00	C - 4	5SL-17460-00	C - 12	5SL-21649-00	C - 15
1HX-12168-00	B - 4	5GV-1246A-00	B - 7	5JW-14118-00	B - 14	3F9-15362-00	C - 6	5SL-18101-00	C - 14		F - 4
1HX-12168-20	B - 4	5GV-1246E-00	B - 7	3H1-14147-00	B - 14	5EB-15362-00	C - 5	5EB-18110-10	C - 14	5SL-21650-00	D - 8
1HX-12168-40	B - 4		B - 8	5FL-14147-00	B - 14	5SL-15373-00	B - 12	5EB-18112-01	C - 14	5SL-21669-00	D - 4
1HX-12168-60	B - 4	5LV-1246F-00	B - 9	5SL-14148-00	B - 14	5SL-15377-00	C - 5	5EB-18113-00	C - 14	5SL-2172E-00	D - 5
1HX-12168-80	B - 4	5Y9-12491-00	E - 14	4KM-14216-00	B - 14	5SL-15411-00	C - 6	5SL-18115-00	C - 14	5SL-2172W-00	D - 5
1HX-12168-A0	B - 4	5SL-12551-00	B - 8	8CC-14216-10	B - 14	5SL-15413-00	C - 4	5LV-18116-00	C - 14	5MT-2172X-00	D - 3
1HX-12168-F0	B - 4	5EB-12577-00	B - 7	5PW-14251-00	B - 15	5SL-15416-00	C - 6	5SL-18127-00	C - 14	5SL-2173L-00	D - 5
1HX-12168-H1	B - 4	5SL-12578-00	B - 8	5SL-14348-00	B - 14	5SL-15418-00	C - 6	5SL-18140-00	C - 14	5SL-2173L-10	D - 5
1HX-12168-K1	B - 4	4NK-12579-00	B - 7	5FL-14348-10	B - 15	5SL-15421-00	C - 6	2H9-18154-00	C - 14	5SL-2173L-20	D - 5
1HX-12168-M1	B - 4	5SL-12579-00	B - 8	5PW-14349-00	B - 15	5SL-15425-00	C - 6	4XV-18154-00	C - 14	5SL-2173L-30	D - 5
1HX-12168-R1	B - 4	5EB-12581-00	B - 7	5SL-14349-00	B - 14	5EB-15441-00	C - 7	5SL-18511-00	C - 13	5SL-21746-00	D - 5

NUMERICAL INDEX

PART NO.	GRID NO.	PART NO.	GRID NO.	PART NO.	GRID NO.	PART NO.	GRID NO.	PART NO.	GRID NO.	PART NO.	GRID NO.
5PW-2174X-00	D - 5	3FV-23462-00	D - 12	5SL-25367-00	E - 4	5SL-25914-00	E - 6	5SL-28303-10	F - 3	4WP-81844-00	F - 7
26H-21828-00	D - 5	2H9-23469-00	E - 7	4XV-25376-00	E - 4	5DH-25916-00	E - 6	5SL-28315-00	E - 15	1FK-81847-00	F - 7
5SL-21871-00	D - 5	5EB-23818-00	D - 10	5SL-25376-00	E - 4	3JD-25917-00	E - 6	5SL-28315-10	E - 15	5EB-81890-00	F - 7
4NK-21875-00	D - 5	5SL-24129-00	D - 14	5SL-25381-00	E - 5	5SL-25917-00	E - 6	5SL-28315-20	E - 15	5SL-81940-00	F - 14
5SL-22110-00	D - 7	5SL-24139-00	D - 14	5SL-25383-00	E - 4	4SV-25919-00	E - 3	5SL-28315-40	E - 15	5PW-81950-00	F - 13
5PW-22125-00	D - 8	5SL-2413B-00	D - 13	5SL-25388-00	E - 4	5SL-25919-00	E - 6	5SL-28328-00	F - 3	5EA-81950-20	F - 13
5JJ-22128-00	D - 7	5SL-2414H-00	D - 14	5SL-25389-00	E - 4	5SL-25921-00	E - 6	5SL-28328-10	F - 3	5JJ-81950-20	F - 13
4FN-22141-00	D - 8	5SL-2414J-00	D - 14	5MT-25398-00	E - 2	4SV-25924-00	E - 3	5SL-28328-20	F - 3	5EA-81952-00	F - 13
5SL-22151-00	D - 7	5SL-2414K-00	D - 14		E - 4	8CR-25924-00	E - 6	5SL-28328-50	F - 3	5JJ-81952-00	F - 13
5SL-2217A-00	D - 7	5SL-24182-00	D - 13	5MT-25398-10	E - 2	3GM-25925-00	E - 3	5SL-2832P-00	E - 15	5SL-81960-00	F - 14
5SL-2217M-00	D - 7	5SL-24183-00	D - 13		E - 4	5SL-25926-00	E - 6	1AE-2834E-00	D - 3	5FL-82100-01	F - 14
5EB-22184-00	D - 7	5SL-24191-00	D - 13	5MT-25398-20	E - 2	5SL-26121-00	E - 7	5SL-2834E-00	F - 4	5SL-82113-00	F - 14
5SL-22187-00	E - 10	5PW-24192-00	D - 13		E - 4	5SL-26122-00	E - 7	5SL-2834F-00	F - 5	5SL-82115-00	F - 14
5SL-2219X-00	D - 7	5SL-24240-00	D - 13	5SL-25448-20	E - 4	5SL-26240-00	E - 7	5SL-28356-00	E - 15	5SL-82116-00	F - 15
5SL-22210-00	D - 9	5SL-24240-10	D - 13	5SL-2580T-00	E - 3	4YR-26241-01	E - 7	5EB-2836A-00	B - 11	5SL-8212B-00	D - 3
5SL-22219-00	D - 9	5SL-24240-20	D - 13	5SL-2580U-00	E - 3	5EB-26246-00	E - 7	5EB-2836E-00	B - 11	5JJ-82131-00	D - 4
5SL-22311-00	D - 7	5SL-24240-30	D - 13	5SL-2580W-00	E - 6	5SL-26280-00	F - 2	5SL-2836K-00	F - 4	5EA-82151-00	F - 14
5SL-22381-00	D - 7	3PA-24356-00	E - 8	5SL-2581T-00	E - 3	5SL-26290-00	F - 2	5SL-2836L-00	F - 4	5JJ-82151-10	F - 14
5SL-23102-00	D - 11	68V-24376-00	B - 15	5SL-25827-00	E - 6	5SL-26292-00	E - 9	5SL-2836M-00	F - 5	5JJ-82151-20	F - 14
5SL-23103-00	D - 11	5SL-24411-00	B - 14	5SL-25827-10	E - 6	5SL-26298-00	F - 2	5SL-2836T-00	F - 3	5JJ-82151-30	F - 14
5SL-23110-00	D - 11	5JW-24486-00	D - 13	5SL-25828-00	E - 6	5SL-26311-00	E - 7	5SL-2836U-00	F - 3	5SL-82309-10	F - 13
5MT-23111-00	D - 11	5SL-24491-00	D - 13	5SL-2582A-00	E - 13	5SL-26312-00	E - 7	5SL-28371-00	F - 2	5SL-82310-20	F - 13
5SL-23118-00	D - 11	3LN-24515-00	B - 14	5PW-2582F-00	E - 8	5EB-26332-00	E - 8	5SL-2837J-00	F - 4	5JW-82380-00	B - 14
5EB-23125-00	D - 11	5JJ-24602-00	D - 13	5SL-2582W-00	E - 6	5SL-26335-00	E - 7	5SL-2837K-00	F - 5		F - 13
5SL-23126-00	D - 11	5SL-2470F-00	D - 15	5SL-25838-00	E - 6	5SL-27211-00	E - 13	5SL-2837L-00	E - 15	5SL-82386-00	B - 15
5SL-23136-00	D - 11	5SL-24710-00	D - 15	5SL-2583V-00	E - 13	5SL-27222-00	E - 13	5SL-2837M-00	E - 15	5JJ-82388-00	F - 15
5SL-23141-00	D - 11	5SL-24720-00	D - 15	5SL-25852-00	E - 13	5SL-27311-00	E - 10	5SL-2837N-00	F - 10	5SL-82511-09	F - 14
4PU-23144-00	D - 11	3KJ-24723-00	C - 15	3GM-25852-50	E - 8	5JJ-27315-00	E - 10	5SL-2838E-00	F - 2	5SL-82530-00	F - 15
4PU-23145-01	D - 11		D - 3	3FV-25854-00	E - 8	5SL-27321-00	E - 10	5SL-2838G-00	F - 5	3GB-82540-01	F - 13
4V4-23146-L0	D - 11	5SL-24723-00	D - 15	5SL-25854-00	E - 13	4NX-27351-00	E - 10	5SL-2838R-00	F - 2	5MT-82541-00	F - 13
3LR-23149-00	D - 11	5SL-24724-00	D - 15	5SL-25855-00	E - 13	5PW-27352-00	E - 10	5SL-2838T-00	F - 2	5SL-8255P-00	F - 14
3TJ-23149-10	D - 11	5SL-24750-00	D - 15	2J2-25855-50	E - 8	5JJ-27411-01	E - 11	5PW-2839H-10	F - 3	5PX-82566-70	F - 15
4V4-23153-L0	D - 11	5SL-24751-00	D - 15	4BP-2585F-00	E - 13	1HX-27415-00	F - 4	5PW-2839H-20	F - 3	5PS-82576-01	F - 14
2K8-23158-L0	D - 11	5SL-24758-00	D - 15	2VN-25866-00	E - 8	5SL-27424-00	E - 12	5SL-28415-00	C - 15	5SL-8258J-00	D - 2
5SL-23170-00	D - 11	5SL-24780-00	D - 15	56A-25867-00	E - 8	5SL-27430-00	E - 11	5SL-28416-00	E - 15	5SL-82590-00	F - 14
5EB-23171-00	D - 11	5SL-24792-00	D - 15	5SL-25872-00	E - 8	4BP-27434-01	E - 10	5SL-28428-00	E - 15	3MA-82591-00	E - 8
5MT-23173-00	D - 11	5SL-2479R-00	D - 15	5SL-25873-00	E - 8	5JJ-27437-00	E - 11	5SL-28429-00	E - 15		F - 14
3LC-23181-00	D - 11	5SL-24858-00	D - 15	5SL-25874-00	E - 13	5SL-27440-00	E - 11	5SL-2843J-00	F - 4	5SL-8259J-00	D - 2
4V4-23188-L0	D - 11	4XV-25117-00	E - 2	5SL-25876-00	E - 9	5SL-27442-00	E - 10	5SL-2844J-00	F - 5	5EB-82910-03	F - 12
5MT-23195-00	D - 11	4XV-25118-00	E - 2	5SL-25886-00	E - 8	5SL-27443-00	E - 11	5SL-2848K-00	F - 5	4XV-82917-01	F - 12
4PU-2331G-00	D - 12	5SL-25168-00-98	E - 2	5SL-25887-00	E - 8	5SL-27445-00	E - 10	5SL-81410-00	F - 6	5PW-83310-01	F - 8
5SL-23340-00	D - 12	5SL-25181-00	E - 2	5SL-25894-00	E - 13	5SL-27446-00	E - 11	5SL-81450-00	F - 6	1KH-83311-00	F - 8
3LC-23357-00	D - 11	4XV-25186-00	E - 2	5SL-25894-10	E - 8	5SL-27451-00	E - 10	5SL-81670-00	F - 13	5PW-83318-00	F - 8
5SL-23377-00	F - 15	4XV-25317-00	E - 4	5SL-25895-00	E - 13	5SL-27461-00	E - 11	5SL-81673-00	F - 13	5PW-83320-01	F - 8
4XV-23415-01	D - 10	5SL-25327-00	E - 4	3FV-2589A-00	E - 8	5SL-28100-00	D - 4	4WP-81801-00	F - 7	5PW-83330-00	F - 8
4XV-23418-00	D - 10	5SL-25338-00-98	E - 4	3FV-2589F-00	E - 8	5SL-28301-00	F - 3	4WP-81826-00	F - 7	5PW-8333A-00	F - 8
4XV-2341B-00	D - 10	5SL-25364-00	E - 4	3FV-2589G-00	E - 8	5SL-28301-10	F - 3	4XV-8182A-00	F - 7	5PW-83340-00	F - 8
5SL-23435-00	D - 10	5SL-25366-00	E - 4	3GM-2589H-00	E - 8	5SL-28303-00	F - 3	5SL-8183G-00	F - 7	5PW-8334A-00	F - 8

NUMERICAL INDEX

PART NO.	GRID NO.	PART NO.	GRID NO.	PART NO.	GRID NO.	PART NO.	GRID NO.	PART NO.	GRID NO.	PART NO.	GRID NO.
4GY-83350-00	F - 13	4SV-W0057-10	E - 3	90105-10018	D - 8	90119-05001	F - 2	90185-24165	E - 5	90269-06008	F - 2
4TH-83371-00	F - 14	5SL-W2470-00	D - 15	90105-10042	C - 15	90119-06059	D - 6	90201-042E0	F - 14		F - 4
4XV-83513-00	E - 15	5EB-W2587-01	E - 8	90105-105A7	E - 3	90119-06062	D - 13	90201-05725	D - 4		F - 10
5PW-8352S-00	F - 9	5SL-W8250-00	F - 14	90105-106A2	D - 2	90119-06117	D - 10	90201-06008	D - 15	90269-07076	D - 5
5PW-8353E-00	F - 9	5SL-Y2171-00-P0	D - 5	90105-126A8	F - 6	90119-06172	B - 13	90201-06042	E - 11	90269-07077	D - 2
5SL-83570-00	F - 9	5SL-Y2171-10-P1	D - 5	90105-14002	E - 2	90119-06192	E - 10	90201-06071	B - 8		D - 4
5SL-83570-10	F - 9	5SL-Y2171-20-P2	D - 5	90109-06013	E - 13	90119-10003	B - 2	90201-06380	E - 14		D - 5
5PW-83572-00	F - 9	5SL-Y2171-30-P3	D - 5	90109-06014	C - 6	90149-05244	E - 9	90201-08034	E - 12	90338-06018	D - 3
5EB-83755-00	F - 13	5SL-Y2410-30-01	D - 13	90109-06015	C - 6	90149-06020	C - 4	90201-081R9	E - 10		D - 5
5EB-83912-01	F - 12	5SL-Y2410-30-02	D - 13	90109-06031	B - 10	90149-06031	F - 6	90201-08326	E - 10	90338-08174	B - 12
4XV-83913-00	F - 12	5SL-Y2410-30-03	D - 13		C - 6	90149-06233	E - 10	90201-086J0	E - 7	90338-08226	D - 4
5SL-83922-00	E - 8	5SL-Y2410-M0-01	D - 13	90109-064G6	E - 3	90149-06250	F - 6	90201-08753	F - 13	90338-27007	C - 15
4XV-83945-00	F - 12	5SL-Y2808-00-4B	F - 4	90109-065G3	C - 4	90149-08003	F - 6	90201-087K3	C - 4	90340-14132	B - 11
5SL-83969-00	F - 12	5SL-Y2808-00-P0	F - 4	90109-066F0	B - 2	90149-08296	E - 11	90201-10021	E - 4	90340-20090	B - 2
5SL-83975-00	F - 12	5SL-Y2808-10-P1	F - 4	90109-08018	E - 10	90149-10006	C - 15	90201-10118	E - 9	90340-32004	C - 6
4HM-83980-00	E - 8	5SL-Y2809-00-4B	F - 4	90109-08045	E - 6	90149-10007	C - 15		E - 13	90387-050X4	C - 15
5SL-84196-00	F - 10	5SL-Y2809-00-P0	F - 4	90109-080G5	F - 14	90150-05024	E - 15	90201-101J1	E - 10	90387-06009	D - 7
5SL-84300-00	F - 10	5SL-Y2809-10-P1	F - 4	90109-085G6	E - 11	90151-06008	C - 11	90201-10614	C - 9	90387-06022	D - 3
5SL-84300-10	F - 10	5SL-Y283G-00-P0	E - 15	90109-105G7	E - 10	90159-06002	C - 9	90201-12008	F - 6	90387-06023	E - 14
5SL-84312-00	F - 10	5SL-Y283G-10-P1	E - 15	90110-05014	D - 13	90159-06056	E - 13	90201-12013	C - 14	90387-06054	D - 13
4SV-84314-00	F - 10	5SL-Y283G-20-P2	E - 15	90160-05112	D - 13	90160-05006	F - 10	90201-12790	F - 13	90387-06055	D - 13
4SV-84347-00	F - 10	5SL-Y283G-30-P3	E - 15	90110-05201	D - 5	90160-05007	E - 15	90201-13008	E - 11	90387-06057	D - 3
5SL-84359-00	F - 10	5SL-Y283U-00-4B	F - 3	90110-06018	C - 13	90164-05014	F - 9	90201-146F9	E - 10		E - 9
5SL-84396-00	F - 10	5SL-Y283U-10-4B	F - 3	90110-06020	B - 11	90167-05078	E - 15	90201-154E8	C - 14		F - 2
5SL-84397-00	F - 10	5SL-Y283U-20-P0	F - 3	90110-06041	B - 10	90170-08358	C - 14	90201-177G4	C - 14		F - 3
1FK-84527-00	E - 15	5SL-Y283U-30-4B	F - 3	90110-06071	C - 6	90170-20008	C - 9	90201-186M4	D - 8	90387-062X0	D - 7
5SL-84710-00	F - 11	5SL-Y283V-00-4B	F - 3	90110-06072	F - 13	90170-28419	D - 10	90201-20278	C - 12	90387-065G0	D - 4
4HC-84744-00	F - 11	5SL-Y283V-10-4B	F - 3	90110-06073	B - 2	90176-06008	F - 2	90201-255A6	C - 9	90387-065J6	B - 13
5PW-84745-01	F - 11	5SL-Y283V-20-P0	F - 3	90110-06079	D - 13	90176-06055	D - 3	90201-257R5	E - 5	90387-06681	D - 7
5SL-84753-00	F - 11	5SL-Y283V-30-4B	F - 3	90110-06091	C - 4	90179-05523	E - 15	90201-281U8	D - 10	90387-06697	E - 11
3Y6-85130-02	D - 4	5SL-Y2881-00	E - 15	90110-06102	D - 7	90179-07652	B - 3	90202-05088	F - 2	90387-07391	B - 8
5SL-85720-00	F - 13	90101-08662	E - 10	90110-06149	B - 7	90179-08410	C - 3	90202-05180	F - 2	90387-073M0	E - 10
8CC-85790-01	F - 13	90101-08766	E - 5	90110-06258	D - 15	90179-10696	C - 15		F - 4	90387-07717	D - 8
5SL-85885-00	B - 14	90105-06006	C - 4	90110-08220	E - 12	90179-18667	C - 12	90202-06001	F - 14	90387-08020	E - 12
5CA-85886-00	B - 12	90105-06020	C - 2	90110-10007	C - 15	90179-30691	D - 10	90202-08001	D - 15	90387-1012A	D - 7
5PW-85896-01	F - 13	90105-06027	B - 2	90110-10008	C - 15	90183-04039	D - 3	90202-30235	D - 10		D - 9
5SL-8591A-00	F - 14	90105-06040	B - 8	90111-05002	D - 5	90183-05024	E - 15	90206-12074	C - 14	90387-1013U	D - 8
5MT-W0041-00	E - 8	90105-06041	E - 9		F - 4		F - 4	90209-21332	C - 11	90387-2202V	C - 12
3TU-W0042-51	E - 13	90105-06047	C - 5	90111-05003	F - 2	90183-05061	E - 15	90209-21351	C - 11	90387-2504A	C - 11
5SL-W0045-00	E - 3	90105-07342	B - 6		F - 4		F - 4	90209-22352	C - 11	90387-2513E	C - 11
5SL-W0046-00	E - 6	90105-08052	E - 15	90111-05006	C - 15	90183-05076	D - 3	90209-25342	C - 11	90387-253M6	C - 11
5SL-W0047-00	E - 6	90105-08053	E - 12	90111-06007	D - 3		D - 5	90209-25349	C - 11	90387-2813C	C - 11
3GM-W0047-10	E - 3	90105-08054	C - 3	90111-06019	C - 14	90183-050A0	D - 5	90209-25350	C - 11	90387-2813D	C - 11
3MA-W0047-10	E - 3	90105-08386	F - 13	90111-06038	D - 7		E - 9	90215-20004	C - 9	90401-10160	E - 9
1J3-W0048-00	E - 3	90105-086A9	C - 4	90111-06040	D - 3	90183-06053	D - 3	90215-21290	C - 12	90401-10172	E - 9
1UY-W0048-00	E - 6	90105-087A0	C - 4		F - 4	90185-10002	C - 15	90240-08084	E - 10		E - 13
4SV-W0057-00	E - 3	90105-10017	D - 7	90111-06041	E - 9	90185-10009	E - 4	90243-08029	E - 11	90401-20145	B - 11
5SL-W0057-00	E - 6		D - 9	90116-10485	E - 4	90185-18104	D - 8	90269-06001	F - 11	90430-06014	B - 7



NUMERICAL INDEX

PART NO.	GRID NO.	PART NO.	GRID NO.	PART NO.	GRID NO.	PART NO.	GRID NO.	PART NO.	GRID NO.	PART NO.	GRID NO.
90430-08119	B - 2	90467-15054	B - 12	91808-17032	B - 10	93315-31758	D - 9	95617-08625	B - 2		
90430-08143	C - 6	90467-17128	B - 13	92014-06025	D - 3	93315-41762	D - 7	95707-06500	D - 3		
90430-09002	B - 14		C - 2	92014-08014	C - 6	93315-42536	D - 7	95807-06010	F - 14		
90430-10148	F - 13	90467-180A0	C - 2	92017-05016	F - 13	93317-11020	C - 9	95814-08045	C - 3		
90445-08016	B - 8	90467-18172	C - 2	92017-05030	F - 15	93317-11287	C - 14	95817-06045	C - 4		
90445-08376	D - 5	90480-12314	B - 12	92017-06014	D - 15	93317-42550	D - 7	95817-06055	C - 4		
90445-102G9	D - 14	90480-12607	E - 14	92017-06016	D - 7	93317-43580	E - 4	95817-06065	C - 4		
90445-11795	B - 12	90480-13398	C - 15		E - 14	93399-99932	D - 12	95817-06100	C - 4		
90445-19002	E - 10	90480-14003	D - 3	92017-06020	D - 4	93399-99955	D - 10	95817-08065	C - 4		
90446-08001	E - 13		F - 3	92017-06025	D - 15	93420-61M07	E - 4	95824-06020	C - 14		
90446-15386	E - 13	90480-15363	B - 8		F - 14	93440-10153	B - 2	95827-06012	B - 8		
90450-22017	B - 7	90480-15483	D - 13	92902-04100	E - 8	93440-25185	C - 11	95827-06090	D - 13		
	B - 9	90501-064L1	C - 13	92902-04600	E - 8	93440-28062	C - 11	97706-04012	F - 8		
90450-25037	B - 9	90501-12743	E - 11	92906-05100	B - 14	93450-17129	B - 3		F - 11		
90450-32001	B - 7	90501-237L0	C - 9	92906-05600	B - 14	93501-04011	E - 11	97707-50016	E - 15		
	B - 9	90506-14003	C - 14	92907-06200	E - 13	93607-44190	B - 6		F - 5		
90450-35001	B - 7	90506-18008	E - 10	92907-08600	C - 9	93608-17263	C - 6	97707-50120	B - 12		
	B - 8	90506-20193	E - 13	93101-12004	C - 14	93900-00030	E - 2	97707-60020	D - 3		
90450-38040	B - 7	90508-165B1	C - 10	93101-12173	B - 7		E - 4	98502-04012	E - 8		
90450-53002	B - 12	90508-18134	E - 10	93102-15212	C - 9	94112-17062	E - 2	98506-05016	B - 14		
90450-63001	B - 12	90508-18135	E - 11	93102-35423	C - 12	94118-17033	E - 4	98507-04010	F - 12		
90460-59211	F - 2	90508-295B2	C - 14	93106-28043	E - 2	94580-25080	B - 10	98507-05008	B - 14		
90461-10006	C - 6	90560-25270	C - 9	93106-40013	E - 4	94591-49120	B - 6	98507-05025	B - 12		
90464-07259	D - 3	91314-06025	C - 4	93109-17071	D - 7	94681-55031	E - 5		F - 12		
90464-12036	D - 2		C - 6		D - 9	94701-00402	B - 2	98507-05030	F - 12		
90464-13077	F - 14	91314-06035	E - 11	93210-04092	C - 4	95024-06020	B - 7	98507-05035	F - 12		
90464-13249	D - 3	91314-08025	D - 12	93210-06667	B - 10	95024-08035	C - 3	98507-06012	C - 6		
90464-15157	E - 7	91314-08030	D - 10	93210-09165	B - 10	95027-06008	F - 14	98707-03016	F - 12		
90464-15195	D - 2		E - 7		C - 5	95027-06012	F - 15	98907-05008	D - 13		
	E - 7	91314-08040	D - 11	93210-14003	B - 10	95027-06016	F - 13	99001-07600	C - 9		
	F - 14	91317-04025	F - 14	93210-14579	C - 4	95027-06020	B - 7	99001-09600	C - 9		
90464-16005	B - 15	91317-05010	D - 13	93210-15566	B - 11		F - 12	99009-12400	B - 7		
90464-16011	D - 7	91317-05012	C - 15	93210-15620	E - 8	95027-06040	F - 7	99009-17400	C - 14		
90464-16012	D - 7		D - 3	93210-16325	C - 4	95027-08012	B - 2	99241-00080	D - 5		
90465-08395	C - 6	91317-05014	E - 7	93210-27194	C - 6	95304-06700	C - 14	99241-00280	F - 4		
90465-10030	B - 11	91317-06012	E - 9	93210-32172	C - 6	95307-08600	E - 5	99244-00080	D - 5		
90465-14011	C - 6		E - 10	93210-33133	B - 7	95307-08700	E - 13	99246-00280	F - 4		
90465-18147	F - 14		F - 15	93210-47675	B - 7	95604-06200	E - 11	99247-00080	D - 5		
90467-010A0	E - 13	91317-06016	F - 13	93306-00106	B - 7	95606-06100	E - 8	99530-08012	B - 11		
90467-08003	D - 5	91317-06020	B - 8	93306-00304	C - 9	95607-05100	D - 4		C - 6		
90467-08075	B - 8		B - 12	93306-00420	E - 2	95607-05200	F - 15	99530-10014	C - 4		
90467-10008	D - 14		E - 7	93306-20464	C - 11	95607-06100	F - 12	99530-10114	B - 2		
90467-10041	B - 12	91317-06025	B - 6	93306-20531	E - 4	95607-06200	D - 15	9Y581-55115	E - 5		
90467-11090	B - 9		B - 11	93306-30525	C - 11	95607-08200	E - 12				
90467-12003	B - 15	91317-06060	B - 2	93306-30546	C - 11	95607-10200	D - 7				
90467-14015	C - 4	91401-16012	E - 13	93310-340N8	C - 9		D - 9				
90467-15001	B - 14	91401-25015	E - 10	93315-31502	C - 9		E - 10				
90467-15012	B - 14	91701-06018	E - 13	93315-31758	D - 7	95607-14200	D - 9				